

Free Energy Generator

Prarit Rajput¹, Harshit Upadhyaya², Dr. Rishi Asthana³

¹ Final Year Student, EN Dept, IMS Engineering College, Uttar Pradesh, India

² Final Year Student, EN Dept, IMS Engineering College, Uttar Pradesh, India

³ H.O.D., Dept. of Electrical & Electronics Engineering, IMS Engineering college, Uttar Pradesh, India

Abstract - Sensors Magnets plays a vital role in v guard magnetic rotor. Magnets provide the basic rotation which is necessary for the rotation of the dynamo to generate the energy. Red switch also plays an important role in sending the signals to the relay which is further connected to an electromagnet to push or pull the stator magnets. The energy which is produced by the dynamo is further stored in the battery for the utilization..This design is based on the education concept and will be helpful in research in recent years.

Key Words: Neodymium magnets (ND),Rotor ,Stator ,Reed switch, Battery

1.INTRODUCTION

More than 90% of world's power is being generated using electromagnets based on Faraday law of electromagnetic induction (M Grover et.al. 2014). Many new technology were discovered which leads a drastic change in the perception of electric energy but at the same time there is a misconception of free energy (Nieper Hans et.al.1985).Energy becomes free only at a point after which we don't have to pay for it .But using the magnetic force which helps in providing the rotation motion for the rotor to generate energy with the help of dynamo(Kelly D et.al. 1866).

1.1 PRINCIPLE OF ENERGY

Energy can be transformed from one form to another form. The electric energy which we get from solar cell, wind mill, tidal, geothermal, hydraulic etc. is free only after applying some initial capital in it(Hp singh et.al.2015) .Without the initial investment we cannot fetch fruits. The concept of using magnets for generation of electricity has been around us from a long time ago. Here we are using Neodymium magnets which is one of the powerful magnets on the earth are placed on the stator and the rotor part of the generator. As there is no such thing called Free Energy. As we know that when a conductor is rotated in a magnetic field a voltage is induced in that conductor due to the variation of flux in it but there are huge losses in the core and winding of rotor and stator like iron loss , copper loss by the use of this V-guard

magnetic rotor these losses are very negligible .Here we are using permanent ND magnets to generate the required rotating force to rotate the V-guard rotor. We are using ND magnets here because these are the most powerful magnets on the earth(S I Shahi et.al .2015). Due to this magnetic force, V-guard rotor starts upto rotate and attain a proper speed for the generation of electricity . As it is further connected with dynamo, the dynamo produces a energy which is further store in the battery and we utilise it for commercial purposes.

Force of repulsion between the two poles of magnet can be determined by the help of this expression:

$$B = ((\mu / (4 * \pi)) * M * M) / (r * r)$$

Whereas B is magnetic force

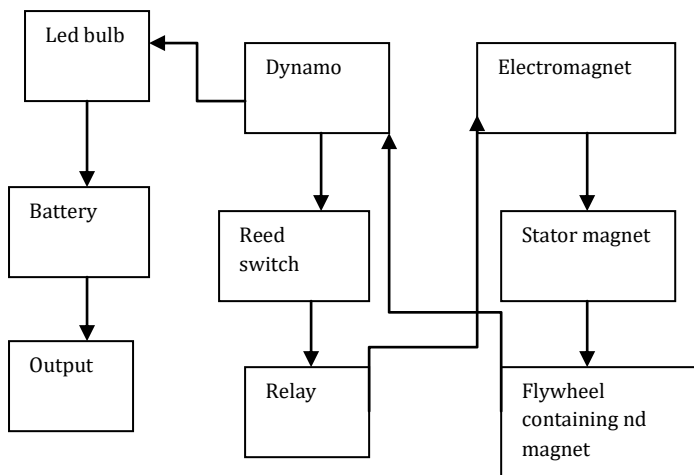
μ is permeability of air

M is pole strength of magnet

r is distance between them

1.2 EXPERIMENT & DISCUSSION

Here the ND-48 magnets are used because of small in size and powerful in nature[3].The total no. of magnets on the stator and the rotor parts are 66 and 28 respectively. Reed switch is basically a sensor which is used to sense the magnetic field and then sends the signal as it installed near the rotating magnet after every 360° rotation(Hp Singh et.al.2015) .It cuts the magnetic field and sends the signal to the relay for further process.Electromagnet plays a very important role in pulling and pushing the stator section as it receives the signal from the relay which is provided by the reed switch to the relay. Batteries are used to store the energy generated by the electromagnets(Hathaway et.al.1986) .Dynamo is a device that makes direct current electric power using electromagnetism. It is also known as a generator, however the term generator normally refers to an "alternator" which creates alternating current power.



6	57	6.5	.216
7	44	4.1	.11
8	31	2.0	.05
9	26	.8	.012

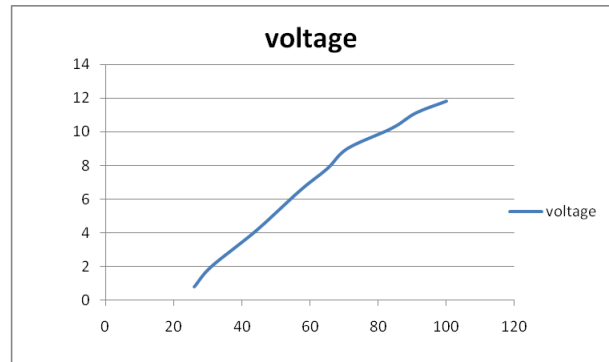


Chart -1: Voltage vs Revolution

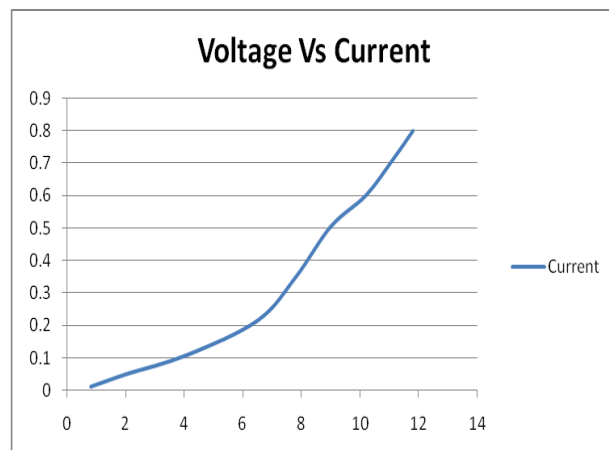


Chart-2: Voltage vs Current

Fig-1: Block diagram of free energy generator

2. WORKING

Basic principle of generator is to convert mechanical energy or rotational motion converts into electrical energy. Here, we install or engrave the ND magnets in V-shape on rotor. It is also called V-guard rotor and the magnets on the stator part is connected in series .As the rotor rotates after every 360° rotation the reed switch cuts the magnetic field and generates a signal which is further send to the relay and relay gives the signal to the electromagnet relay is used which is connected to the stator part to pull it up and down after 360° rotation for maintaining the continuous motion of the rotor . Due to which it will continue to rotate .And the rotor is further connected to a dynamo which is used to generate the power as it reaches up to proper RPM and there is LED is also connected with gives the proper indication of the flowing of current. The power which is generated by this system is further stored in batteries and ready to use for our purpose.

Table -1: Observation table

Table between Voltage, Current & Revolution			
S.No	Revolution (in rpm)	Voltage(in volts)	Current(in amp)
1	100	11.8	.8
2	91	6.5	.71
3	84	4.1	.602
4	71	2.0	.506
5	65	7.8	.35

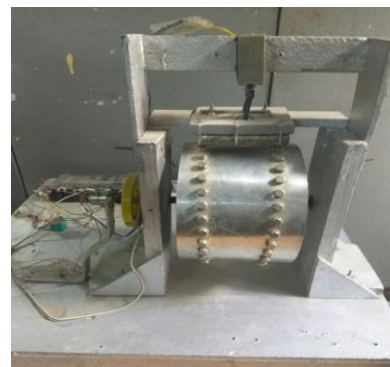


Fig -2: Working model of free energy generator

3. CONCLUSIONS

This free energy generator described in this paper doesn't require any electrical supply. It is basically a prototype which runs at 100 rpm and generates a voltage near about 12 volt and current near about .8 amp which is further stored in batteries and utilize for charging mobile batteries, lightning lamps, and many more. On bigger scale we can create large amount of power which can be utilize for our domestic purposes .If we do more focus and research on this project then this became the face of tomorrow. This is the replacement of renewable or alternate source of energy in future.

REFERENCES

1. Nieper, Hans A., "Revolution in Technology, Medicine, and Society - Conversion of Gravity Field Energy," MIT Verlag, Oldenburg (English Translation), pp 359-362, May 1985, ISBN 3-925188-07-X (available from bookstores or Tachyon Energy Research, 9554 W. Olympic Blvd, Beverly Hills, CA 90212, (213) 286-2940).
2. Kelly, D., "Free Energy - The Final Solutions," Tri-State Press, (c/o K. MacNeill), P.O. Box 1866, Clayton, GA 30525.
3. "More About the Swiss M-L Converter: Pros and Cons," Magnets Magazine, pp 19-26, December 1988.
4. Bearden, Lt. Col. T. E., "AIDS: Biological Warfare," Chapter 4, "Extraordinary Physics," 1988 (available from the Tesla Book Company, 2521 Palma Drive, Ventura, CA 93003, (805) 646-3371).
5. Hathaway, G. D., "Engineering Non-Conventional Energy Systems," Proceedings of the 1986 International Tesla Symposium, International Tesla Society (available thru High Energy Enterprises, Inc., PO Box 5636, Security, CO 80931, (719) 475-0918).
6. Methernitha, "Informationsfilm Thesta-Distatica: Sound Track Transcription," Tagungsband Proceedings, Internationaler Kongress fur Freie Energie, Einsiedeln, Switzerland 1989, ISBN 3-9520025-1-8.
7. KFrison2012 www.fil.ion.ucl.ac.uk/~karl/Free%20Energy%20Value%20and%20Attractors
8. www.iarjset.com/upload/2015/si/ncree-15/IARJSET%2071%20P196.pdf by HP Singh-2015
9. www.ijsrp.org/research-paper-1214/ijsrp-p3626.pdf by M Grover-2015