

# Self Generator Free Energy Flywheel

Prof. Sandeep B. Thakre<sup>1</sup>, Mr. Swapnil H. Zode<sup>2</sup>, Anand S. Singh<sup>3</sup>, Shubham R. Ingole<sup>4</sup>

<sup>1</sup>Professor, Dept. of Mechanical Engineering, K.D.K. Umrer college, Maharashtra, India

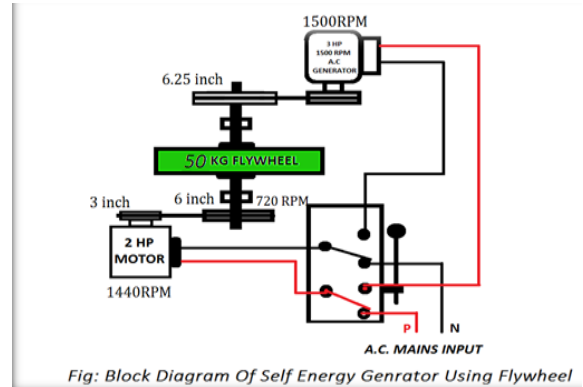
<sup>2,3,4</sup>B.E. Student Of Mechanical Engg, K.D.K. C.O.E, Umrer, Maharashtra, India

\*\*\*

**Abstract** - The objective of this project was to determine the electric power generating associated with alternator connected to rotating flywheel & flywheel rotate by a motor. The electric power generate on the basis of mechanical energy is converted electrical energy by the generator.

The system operates without any fuel and performs both the motor & alternator functions. It is an energy efficient system as it offers the benefits.

**Key Words:** Energy Efficient System, Generator, Free Energy, Eco-friendly System, Electrical Energy, etc.



## 1. INTRODUCTION

The idea of this project explores the possibility of combining three units i.e. Torsional vibrations, Flywheel and Mechanical drive into a single unit, such that the device generates energy.

Free energy means the zero cost energy. Mechanical energy which drives windmill by using the blowing force of wind, or Solar energy in solar cell which is converts into DC current and store in batteries . Other energies obtained are from wind power, water power & telluric power. Free energy generator is used to generate these types of energy.

This is how we can try to make the environment and a common man comfortable. It is an energy efficient system as it offers the benefits. This can be used for the commercial as well as domestic purposes.

### 1.1 Working Principle

The objective of this project is to recover energy of flywheel by using principle of energy recovery system from flywheel and produce sufficient energy to run the project set up and also some additional energy to run external power supply.

The project process is inspired from CHAS CAMPBELL's Generator. An AC motor is starts with the help of AC supply.

The shaft speed varies with help of pulleys with different diameters. After getting maximum speed at generator shaft, the initial AC input supply is replaced by the output supply of generator.

## 2. Motor

An electric motor is an electric machine that converts electrical energy into mechanical energy.

We Use Single Phase 2 HP Motor 1440 RPM



## 3. Flywheel

A flywheel is a mechanical device specially designed to efficiently store rotational energy.

We use Lister Engine Flywheel

$$4. \Delta E = I \cdot \omega^2 C_s$$

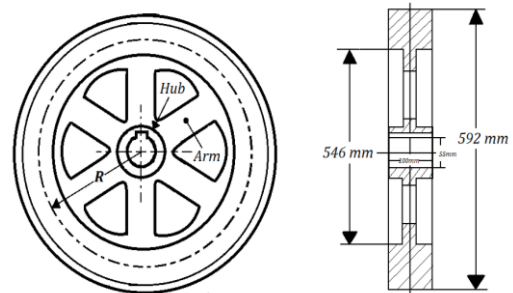


Fig :- Flywheel

### 5. Alternator

An alternator is an electric generator that converts mechanical energy into electrical energy in the form of alternating current.

We Use Single Phase 3HP Alternator 1500 RPM.



### 6. Bearing



Table -1: Specification of bearing

Specification		
Housing Number	P211	
Bearing Number	UC211-32	
Shaft Size	2 in	
Bolt Size	M16	5 /8 in
Weight	3.6 kg	7.94 lbs
Locking Style	Set Screw Locking	
Set Screw Size	3/8-24UNF	
Grease Fitting	A-R1/8	

### 7. Design Of V-Belt

2 HP motor 1440 RPM  
 2 HP = 1.49 Kw  
 $N_1 = 1440$  RPM  
 $P_R = 1.49$  Kw

#### 1) Design Power :- (T-XV-9/161)

$P_d = P_R \times K_L$   
 $\therefore K_L = 1.10$  (for motor to the line shaft)(T-XV-2/156)  
 $= 1.49 \times 1.10$   
 $P_d = 1.6405$  Kw

#### 2) Belt Designation :- (T-XV-8/160)

With respect to  $P_d = 1.64$  Kw  
 Belt Designation B

- ✦ Nominal width ( $w$ ) = 17 mm
- ✦ Nominal thickness ( $t$ ) = 11 mm
- ✦ Pulley Diameter ( $D_1$ ) = 135 mm
- ✦ Max Strand used = 9
- ✦ Bending stress factor ( $K_b$ ) =  $45.6 \times 10^3$
- ✦ Centrifugal tension Factor ( $K_c$ ) = 4.34

#### 3) Power Capacity per Belt :- (T-XV-9/161)

$$\text{Power/Belt} = (F_w - F_c) \frac{e^{\mu\theta/\sin(\frac{\alpha}{2})} - 1}{e^{\mu\theta/\sin(\frac{\alpha}{2})} + 1} \times V_p$$

$$F_w = (\text{working load}) = w^2 = 17^2 = 289 \text{ N}$$

$$F_c = (\text{centrifugal tension}) = K_c \left(\frac{V_p}{5}\right)^2$$

$$V_p = \frac{\pi D_1 N_1}{60} = \frac{\pi \times 135 \times 1440}{60} \quad V_p = 10.17 \text{ m/s} \quad V_p = 610.728 \text{ m/min}$$

Check  $V_p$  in a range 300-1500 m/min

$\therefore V_p$  is in a range

$$F_c = K_c \left(\frac{V_p}{5}\right)^2 = 4.34 \times \left(\frac{10.17}{5}\right)^2 \quad \therefore F_c = 17.95 \text{ N}$$

$$\frac{N_1}{N_2} = \frac{D_2}{D_1}$$

$$\frac{1440}{360} = \frac{D_2}{135}$$

$$\therefore \text{velocity ratio of v-belt} \left(\frac{N_1}{N_2} = 4\right)$$

$$D_2 = 540 \text{ mm}$$

$$\theta = \pi - \frac{D_2 - D_1}{C} = \pi - \frac{540 - 135}{135 + 540}$$

$$(\therefore C = D_1 + D_2)$$

$$\theta = 2.54 \text{ rad}$$

Assume,  $\mu = 0.3$  &  $\alpha = 36^\circ$

$$\text{Power/Belt} = (289 - 17.95) \frac{e^{0.3 \times 2.54 / \sin(\frac{36}{2})} - 1}{e^{0.3 \times 2.54 / \sin(\frac{36}{2})} + 1} \times 10.17$$

$$10.17$$

$$\text{Power/Belt} = 2.522 \times 10^3 \text{ Kw}$$

#### 4) Belt tension :-

$$F_1 - F_2 = \frac{P_d}{V_p}$$

$$\frac{F_1}{F_2} = e^{\mu\theta/\sin(\frac{\alpha}{2})}$$

$$F_1 = 11.77 F_2$$

$$F_2 = 14.9714 \text{ N}$$

$$F_1 = 176.27 \text{ N}$$

5) Number of Belt :-

$$n = \frac{P_d}{\text{Power/Belt}}$$

$$n = 0.65 \quad \therefore n \approx 1$$

$$\text{Total Power} = \text{No Of Belt} \times \text{Power/Belt}$$

$$\text{Total Power} = 2.5224 \text{ Kw}$$

6) V-Belt Pulley Detail :- (T-xv-11/163)

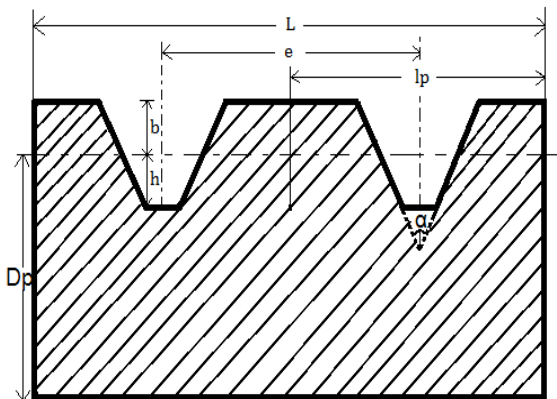


Fig :- V-Belt Pulley Detail

$$l_p = 14, b = 4.2 \text{ mm}, h = 10.8 \text{ mm}, e = 19 \pm 0.4, f = 12.5$$

7) Width Of Pulley :-

$$W = (n-1) e + 2 f$$

Where, n = 1 no. of Belt

$$= (1 - 1) 19.04 + 2 \times 12.5$$

$$W = 25 \text{ mm}$$

8) Length Of Belt :-

$$L = \frac{\pi}{2} (D_1 + D_2) + 2 C + \frac{(D_1 + D_2)^2}{4 C}$$

$$= \frac{\pi}{2} (135 + 540) + 2 \times 675 + \frac{(135 + 540)^2}{4 \times 675}$$

$$L = 2579.0375 \text{ mm}$$

8. Advantages

- ✚ It is an energy efficient system as it offers the benefits. This can be used for the commercial as well as domestic purposes.
- ✚ It does not require skill person.
- ✚ low maintenance cost.
- ✚ Simple in construction.
- ✚ It is very Eco friendly.

9. Application

- ✚ It is used for domestic purpose.
- ✚ It is used in Electric Car.

- ✚ It is used for commercial purpose.
- ✚ It can get one rid off Power Supply Companies for one time investment.

10. CONCLUSIONS

We have obtained more electrical output which is our free energy. The AC generator have produce extra electricity by using of flywheel from 1 HP motor. The main advantage of Free energy generator using flywheel is that it can generate energy without used of any extra equipment and this free energy generation is non-hazardous and environmental friendly. Can be use in various applications like electric fuel cars ,household, industrial and increase the efficiency of traditional electrical.

12. ACKNOWLEDGEMENT

The overall session of the project completion has been a more experience providing us with great insight into learning various design concept, software, engineering concepts & benefits of team work. As rightly said, for the successful completion of any type project, an effective & timely guidance is the very important asset. Our project would not have been materialized without the co-operation of many of the people involved.

Indeed it is a matter of great felicity and privilege for us to work under the guidance of PROF:-S.B.THAKRE, Department of MECHANICAL Engineering, KDK College Of Engineering, Umrer who constantly supported and encouraged us during every step of dissertation. We really feel highly indebted to him for constantly guiding us to continue our work and giving us short term goals, which have immensely helped us in completing our work in timely manner.

11. REFERENCES

[1] S.S. Murthy, O.P. Malik, A.K. Tandon, " Analysis of self-excited induction generators," Proc. IEE, Vol. 129, Pt. C, no.6, pp. 260-265, November 1982.

[2] Rocky Mountain Institute. "Regenerative Braking," Snowmass.

[3] Cikanek, S.R. and Bailey, K.E. "Regenerative Braking System for a Hybrid Electric Vehicle," Proceedings of the American Control Conference, Anchorage, AK, May 8-10, 2002.

[4]. Uchiyama, T. and Yagami, H., 2004. vortex simulation for the interaction between a vortex ring.

[5] Tur, O., Ustun, O. and Tuncay, R.N. "Application Note on Regenerative Braking of Electric Vehicles as AntiLock Braking System," Ansoft Europe, French Office, [2005].and solid particles. Proc. 6th Int. Conf. Multiphase Flow, on CD-Rom.

[6]. Uchiyama, T. and Naruse, M, 2006. Threedimensional vortex simulation for particulate jet generated by free falling particles. Chem. Eng. Sci. 61: 1913-1921.

**BIOGRAPHIES:**

**Prof. Sandeep B. Thakre** Professor,  
Dept. of Mechanical Engineering, K.D.K.  
Umrer college, Maharashtra, India



**Mr. Swapnil H. Zode**  
B.E. Student Of Mechanical Engg, K.D.K.  
C.O.E, Umrer Maharashtra, India



**Anand S. Singh**  
B.E. Student Of Mechanical Engg,  
K.D.K.C.O.E, Umrer , Maharashtra, India



**Shubham R. Ingole**  
B.E. Student Of Mechanical Engg, K.D.K.  
C.O.E, Umrer , Maharashtra, India