

HEALTH MONITORING SYSTEM USING ARDUINO

MR T.H FEIROZ KHAN¹, Narendra Kumar Meel², Chetan Sharma³, Arshad Ali⁴, Prakhar Gupta⁵

¹Faculty, Computer Science and Engineering, SRM Institute of Science and Technology, Tamil Nadu, India.

^{2,3,4,5}Student, Computer Science and Engineering, SRM Institute of Science and Technology, Tamil Nadu, India.

Abstract - In India, close to regarding 2 hundredth of the whole population loses their lives because of interrupted health observance system i.e. in most of the hospitals, doctor visits patients either in morning shift or in evening shift or in each shifts. What happens if patient's health becomes important in between that interval or once a doctor isn't on the market with a patient. the solution is; a patient could lose her\his life. thus to avoid this important situation; we tend to area unit proposing a sensible embedded system device that monitors patients health ceaselessly. This system monitors patients pulse rate, vital sign and saline liquid level (if any). if any of the on top of parameters goes on the far side the brink price, this sensible device informs doctors or care taker and kindle corrective actions to save lots of patients life. Internet of Things (IOT) visualizes a way forward for something anyplace by anyone at any time. the knowledge and communication technologies facilitate in making a revolution in digital technology. IOT area unit identified for interconnecting numerous physical devices with the networks.

Key Words: Arduino UNO, Alcohol sensors, Blood pressure sensors, WiFi Module .

1. INTRODUCTION

Automation is a crucial idea in IOT additionally as Cloud computing, because it automates several tasks like observance with none superintendence. The 3 main services in cloud area unit Infrastructure as a Service, Platform as a Service and package as a Service. a number of the services provided them area unit Amazon internet service by Amazon, Google App Engine by Google, Cloud Application Delivery by H.P. and Windows Azure by Microsoft. once analyzing the applications of IOT, I actually have used numerous sensors to scan patient's health details and store them in a very cloud setting up so far. during this paper, the system is employed to observe health condition of human with less power. the attention blink device Heartbeat device and temperature device, Vibration device area unit used monitor the health standing of a patient.

Whenever any parameter goes to be in abnormal manner then controller mechanically sends the knowledge via IOT module. The RFID input is given for the patient's door access. The transmitted information is keep within the cloud server which might be accessed anyplace. the info is monitored by the doctor (care taker). primarily based upon the input price of the sensors the doctor will analyze the patient standing. The hardware used for developing this technology is Arduino Uno, heartbeat device, instinctive reflex device, temperature device, buzzer and vibration device. The device nodes deployed at numerous locations in Wireless device networks senses the info and transfer it to the bottom

station. Mesh technology is employed for making WSN with many nodes, router mistreatment Arduino board, temperature device and Xbee module. Xbee senses the info and send it to the station mistreatment Arduino board .

Patient observance System may be a method during which a doctor will perpetually supervise quite one person, in way over one parameter at a time in a very remote space. Heart beat indicates the soundness of human heart. It helps in assessing the condition of patient's circulatory system. Human heart provide oxygen-rich blood to the muscles. It conveys cell wastes except for tissues. pulse rate varies proportionately to the necessity of muscles to egest carbonic acid gas and absorb element modifies such issue happen throughout toil or sleep. Usually, the guts rate that is calculated for traditional resting adult males is near to seventy M.M. and for adult females is seventy five M.M.. This heart beat observance system facilitate United States of America to figure the guts beats per minute and by comparison it with customary heart beats; the knowledge will track this heart disease only. Body temperature is additionally a typical indication of body condition. traditional organic structure temperature is $(98.6 \text{ }^\circ\text{F} \pm 0.7^\circ\text{F})$ and it differs activity of the person additionally as place of mensuration. once an individual is overly hot then the blood vessels in human skin inflate to transfer the surplus heat to human skin surface. and since of this reason, the person starts sweating. Then the sweat evaporates and this method supports to cool down organic structure. once an individual is simply too cold, human blood vessels shrunk therefore the blood flow in human skin gets reduced to preserve temperature of body. As a result, he/she starts shivering associate degree it's an natural, fast abbreviation of the muscles. The process of implementing a injury detection and characterization strategy for engineering structures is observed as Structural Health observance (SHM). Here injury is outlined as changes to the fabric and/or geometric properties of a structural system, as well as changes to the boundary conditions and system property, that adversely have an effect on the system's performance. The SHM method involves the observation of a system over time mistreatment sporadically sampled dynamic response measurements from associate degree array of sensors, the extraction of damage-sensitive options from these measurements, and also the applied math analysis of those options to work out this state of system health. For future SHM, the output of this method is sporadically updated info concerning the flexibility of the structure to perform its meant operate in lightweight of the inevitable aging and degradation ensuing from operational. The amount of traditional Saline intake taken by patient is totally depend upon physiological state of patient however sometimes, it's

between one.5 to three liters per day for associate degree adult. Generally, in hospitals saline level is monitored by nurses and patients relatives.

Regular observance of medicine parameters is very important for higher treatment. during this era of contaminated setting, concern regarding human health is prime priority than ever before. Everything gets trashy if one is unwell or dead. Nowadays, folks outlay such a lot cash to sound healthy. In most of the cases, it's found that it gets too late to receive acceptable medical treatment. so unexpected incident happens for being mechanism. Since pulse rate, saline level, and vital sign area unit the foremost crucial noteworthy parameters an affordable device to live such parameters are useful for human health. In emergency scenario, time shouldn't be wasted. generally continuous assessment is additionally necessary. Therefore, an automatic system for continuous measure of pulse rate, vital sign and saline level is incredibly abundant essential. During this study, associate degree Arduino primarily based patient observance system is developed. Since the system provides the knowledge regarding all 3 parameters through golem application, anyone will monitor physical standing simply. Moreover, the system could also be helpful for observance condition of significant patients from remote place. remainder of the paper explains existing approaches, our system model, system development and eventually system performance mensuration.

IOT in e-health care has smartly emerged that aids patients additionally as physicians to induce the health standing details on the flow while not even visiting the hospitals. a number of the advanced sensors within the recent technology area unit terribly promising for health care application. Wireless Body space device Networks is one among the advanced technologies for developing e-health care. This technology consists of multiple sensors that once fastened on organic structure reads and writes the patient's health information.

1.1 LITERATURE SURVEY

Tyagi [8] presented the various applications of IOT and also mentioned some important parameters and functionalities of each of the applications in IOT. They mainly concentrated on the roles and features of IOT in healthcare. Also discussed on the technologies that make this IOT possible in healthcare. In this paper, they have even proposed how cloud is also used for healthcare industry.

Darshan, K. R [9] addressed the various uses of IOT in the healthcare system and also explained the challenges faced by IOT in the healthcare. They have also performed a review on various works done in the research area of this field. They have explained how to detect any disorders at the early stage and the necessary medical aid to be taken before hand. They have provided the status of IOT in some of the various well-known technology firms like how Google, Microsoft, Intel, IBM, Cisco and the government sector are using IOT for healthcare.

Yeh, Kuo-Hui [11] introduced how security is implemented in IOT based on healthcare system. They succeeded it by using BSN (Body Sensor Networks). In these infrastructures, they have used two processes of Authentication that satisfies the security for IOT in securing the healthcare. They have developed this model using the raspberry pi-2 development platform. They say that the system efficiency can be further enhanced if the crypto-modules are replaced by SHA-2 techniques. They have proved the robustness of their methodologies.

Gupta [12] developed a health monitoring system that is robust and intelligent to monitor the patient's health and collect the information like blood pressure, heartbeat rate and ECG using IOT. The patient or users can send these data to the doctor rather than visiting the doctor directly in the hospital. The hardware used by them is 2nd generation Intel Galileo board. This is an Intel quark based single board. It is an embedded board and Arduino certificated. This is an embedded system as it is designed to act as hardware and software and also pin compatible. This Intel Galileo board provides a Linux platform and supports SD card. The details are transferred to the database server. This data can then be accessed from any part of the world.

Jimenez [13] discussed on building an ad-hoc extensible monitoring system of patient's health. They have used low cost sensors and also used existent IOT technology as a platform for establishing a communication. They developed this monitoring system concerning to help elderly people. Their system is mainly on alerting patient's guardian or the physician if the any aged people is in need of medical aid. Also, they performed performance testing if the system is capable of handling multiple request at a time and also if the number of sensors are increased.

Xican [14] reviewed on new advancements in radar sensors design system that offers low power healthcare, indoor real time positioning and different applications in IOT. To improve the detection accuracy, detection range and power consumption they have proposed different radar frontend architecture and digital processing methods. Some of the recent developments are beam forming and duty cycle. They say that CMOS technologies are used for low power and low cost radar sensors that can further studied for developing applications using IOT and WSN. They have compared the different radar architectures.

Moosavi [15] implemented two architectures based on IOT for remote monitoring. The developed these two architectures with two different wireless technologies. One is using WI-FI and the other is by using Zig-bee. Their goal is to find the advantages and disadvantages of these systems. In zig-bee, the system contains different set of sensor nodes. The data is read from different medical sensors and processes it by sending through zig-bee to the server. The WI-FI sensor system accessed the bio-medical signals and updates the database in the server. In both the test cases, the servers collect the data and update the database. This database can be accessed and displayed in a web page for remote access.

1.2 PROPOSED SYSTEM

The primary actors concerned area unit patients, guardians, physicians, medical laboratory, clinics and hospitals, attendants, nurse, public authorities. beneath bound conditions if the health care details area unit in would like for validation and authorization of any legal authorizing or auditing, then the general public-authorities area unit concerned in it. The display will utilized in completely different forms like wearable, jewelry, placed beneath the shoes for reading the small print of the user’s health. this can be a complete device. Sometimes, the device will be even placed within the form for assembling the information. A way to collect the patient’s details and store it within the cloud information victimisation IOT. The IOT device contains differing types of detectors like cardiogram sensor, BP sensor, mems detector and blink detector to scan numerous details. As this can be endless watching of the health standing, the small print area unit collected and hold on synchronize manner. we are able to even set timers to gather information at the actual time supported our demand. as {an example} if we tend to set an hour of your time limit, the IOT device can check for data for each one-hour and stores the information.

Cloud is thought for its logical information storage of digital information. This information will be served to multiple purchasers at a time. The physical surroundings is managed by the holding organization. The cloud service suppliers area unit liable for providing the information to be on the market all the time and it ought to be accessible from anyplace. The physical surroundings should be in an exceedingly running state. the information security is additionally taken care by the hosting organization. The users will read this information any time. In this paper, the patient is monitored victimisation IOT devices with numerous sensors and their details area unit hold on within the cloud. every actor except the patient is given a singular RFID enabled positive identification. it’s obligatory for the patient, doctor and therefore the guests to try to to registration initial. The hospital management can method this. The registration part consists of details like user name, email address, contact range and arcanum. once undefeated registration, the users are going to be supplied supplied with RFID enabled positive identification. the continual watching system monitors the information however it’s not displayed on the monitored till the attested actor logs in victimisation RFID positive identification. once the doctor enters the patients then the patient’s details like temperature scan, pressure scan, cardio scan area unit displayed on the monitor. Also, the doctor’s details like name, login details area unit hold on within the information. The time, the doctor leaves the area is also hold on within the information. This helps USA to understand the period the doctor spent for a patient.

2. METHODOLOGY

To implement an overseas health care watching system. In these sensors to observe the medical parameters like pressure, pulse and Temperature area unit designed and interfaced to the micro-controller ATmega16. This micro-

controller having built-in ADC that converts the sensors input analog signals to digital signals. These days, wearable sensors like pulse monitors and pedometers area unit in common use. Many merchandise area unit already on the market, like the Life shirt, developed by Vivo metrics, the body watching system developed by Body Media and therefore the Nike-Apple iPod Sports kit that facilitates personal feedback management of performance throughout exercise periods. the center Beat detector provides a straightforward thanks to study the heart’s perform. This detector monitors the flow of blood through Finger. because the heart forces blood through the blood vessels within the, the quantity of blood within the Finger changes with time. Heart beat detector is meant to present digital output of heart beat once a finger is placed thereon. It consists of an excellent bright red crystal rectifier and light Weight detector. The crystal rectifier must be super bright because the most light-weight should pass unfold in finger and detected by detector.

Once the center pumps a pulse of blood through the blood vessels, the finger becomes slightly additional opaque so less light-weight reached the detector. With every heart pulse the detector signal varies. This variation is converted to electrical pulse. This digital output will be connected to micro-controller on to live the Beats per Minute (BPM) rate. This signal is amplified and triggered through an electronic equipment that outputs +5V logic level signal. The output is additionally indicated by a light-emitting diode that blinks on every heartbeat. The planned style contains a vital advantage: introducing environmental sensors that collect context data can facilitate in analysis of the medical knowledge. When, e.g., a patient is doing sports, medical parameters like rate or O2 saturation have to be compelled to be taken otherwise compared to an equivalent person sleeping in bed. it’s calculable that seventieth of all sicknesses square measure preventable, and if appropriate screening

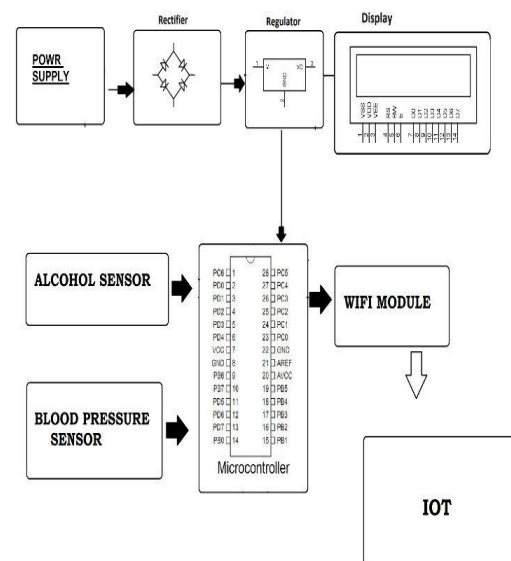


Fig -1: Block Diagram

measurements were introduced, this might turn out dramatic reductions in prices for treatments and drugs. The environmental sensors principally embody temperature sensors, humid sensors, and just in case of emergency, associate alarm signal from smoke detectors. It happens to be important that the inclusion of special circumstances sensors like smoke detectors be enclosed so the attending medical man could communicate the acceptable course

2.1.2 GSM/GPRS

Module is employed to determine communication between a laptop and a GSM/GPRS system. world System for Mobile communication (GSM) is associate degree design used for mobile communication in most of the countries. world Packet Radio Service (GPRS) is associate degree extension of GSM that allows higher knowledge transmission rate. GSM/GPRS module consists of a GSM/GPRS electronic equipment assembled at the side of power offer circuit and communication interfaces (like RS-232, USB etc.) for a laptop. GSM/GPRS electronic equipment may be a category of wireless electronic equipment devices that square measure designed for communication of a laptop with the GSM and GPRS network. It needs a SIM (Subscriber Identity Module) card a bit like mobile phones to activate communication with the network.

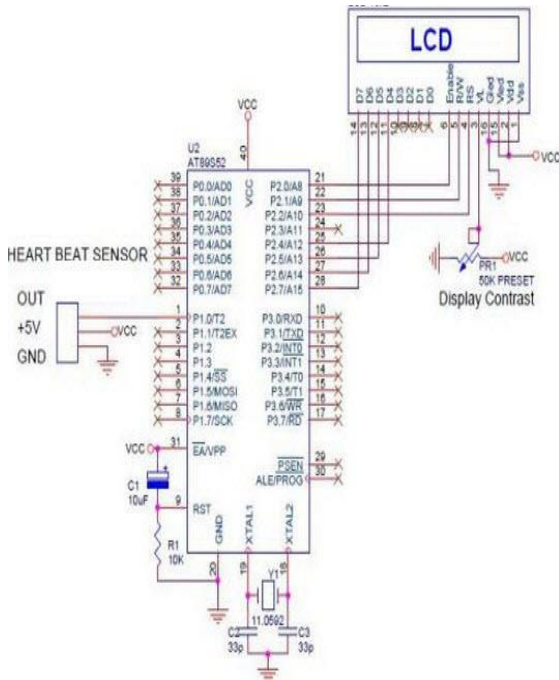


Fig -2: Pin Diagram



Fig. GSM/GPRS Module

Also, they need IMEI (International Mobile instrumentality Identity) variety kind of like mobile phones for his or her identification. A GSM/GPRS electronic equipment will perform the subsequent operations: one. Receive, send or delete SMS .

2.1 Module Description

2.1.1 Arduino Micro controller Arduino

Arduino Uno could be a micro-controller board supported the ATmega328P. it's fourteen digital input/output pins (of that half dozen is used as PWM outputs), half dozen analog inputs, a sixteen megacycle quartz, a USB affiliation, an influence jack, associate ICSP header and a push.

It contains everything required to support the micro-controller; merely connect it to a laptop with a USB cable or power it with a AC-to-DC adapter or battery to urge started

2.1.3 Temperature sensing element

Temperature sensing element may be a device that is meant specifically to live the hotness or coldness of associate degree object. LM35 may be a preciseness IC temperature sensing element with its output proportional to the temperature (in °C). With LM35, the temperature is measured additional accurately than with a semiconductor. It additionally possesses low self-heating and doesn't cause quite zero.1 °C temperature rise in still air.

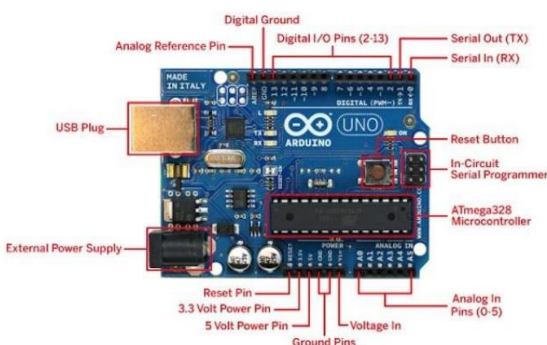


Fig -3 Arduino Board



Fig. Heartbeat Sensor

The amount of the blood within the finger changes with relation to time. The device shines a light-weight. comes here Conclusion content comes here Conclusion content comes here Conclusion content comes here.

3. FUTURESCOPE

This enforced project deals with finding the technical and advance resolution to a significant downside at hospital like watching the patient condition on-line and expected to unfold wide awareness on however technology may be utilized in emergency cases. this method is moveable and real time system. Wearable sensors may be used for higher health watching system. differing types of wireless sensors may be wont to increase the amount of watching. This enforced project upgraded for a wireless emergency tele-medicine system. alternative physical parameters may be additional in step with demand like for position of patient, sugar level detection etc. Remote health watching improves quality of care, reduces attention pay and empowers patients. This project upgraded for wireless house maker by adding GPRS module in order that the placement of patient may be simple detected and each other thanks to upgrade project by wireless graphical record watching on the pc victimization Zig-bee technology. The medicine mensuration system consists of temperature device, heart beat device, pressure device, A/D device, signal learning circuit, micro-controller, data cable, mobile, show|LCD|digital display|alphanumeric display} display. The temperature device is employed to sense the temperature worth of the patient's body. The detected output is given to A/D device wherever the analog signal is regenerate to digital signal. The digital output is given to micro-controller.

4. CONCLUSIONS

We conferred the planning and implementation of a foreign Patient watching system supported wireless technology employing a mobile phone, to send Associate in Nursing SMS (Short Message Service) to the medical employees. The planned system combines 2 unremarkably used technologies specifically, international System for Mobile (GSM) and Zig-bee technology. This so is a straightforward, practical, cheap and nevertheless terribly effective means for sending very important data to the attention employees and attention suppliers.

The system monitors patient's health standing, like graphical record, heart rate, and temperature. In case, the worth for any of those parameters exceeds predetermined vital values, the position parameters, from the hooked up GPS module, area unit transmitted to pre-defined number in style of SMS employing a GSM module. All the data obtained from the figure from sensors and graphical record filter circuit is then transmitted to the micro-controller system as digital values. The values obtained from like graphical record, rate and temperature is additionally displayed on to the hooked up LCD in alphamerical type. within the conclusion we tend to think about however this method may be any improved in future, could also be by adding new form of sensors furthermore as victimization new approaches for the protection and triggering alarm.

1. This enforced project deals with finding the technical and advance resolution to a significant downside at hospital like watching the patient conditions on-line.

2. This project is anticipated to unfold wide awareness on however technology may be utilized in emergency cases.

3. it's moveable, real time system.

4. This enforced project deals with finding resolution of taking patient's body reading like rate, pressure of Body and temperature victimization BP device and Temperature device.

5. Designed Remote watching web site} receives information from native site victimization receiver in traditional cases furthermore as in emergency cases and forward information to doctor's Smart phone.

6. This enforced project provides resolution for emergency condition by causation Associate in Nursing SMS awake to Doctor's Smart phone.

5. RESULT

In initial case, the micro-controller offers the digital values of detected parameters. If the given values area unit below strength then micro-controller commonly transmits the output victimization transmitter (CC2500) from native web site} to remote watching site. At a similar time the output is hold on within the memory card for the longer term use. On remote watching website values area unit received by receiver (CC2500) which supplies the output to linear unit then linear unit converts serial information into USB information that is shown at Nurse management Station. The output is displayed on graphical user interface screen[Refer Figure1] furthermore because it is hold on in information for future use and doctor will see the information on his/her mobile victimization web.

6. REFERENCES

[1]. Baba Prasad G, Seema K, Shrikant U H, Gopi Krishna Garge, Anand S V R and Malati Hegde "SeaMo+: A Virtual Real-time Multimedia Service Framework on Handhelds to enable Remote Real-time Patient Monitoring for Mobile Doctor" 978-1-4673- 5494-3/13.

[2]. Xiaohui Liang, Mrinmoy Barua, Le Chen, Rongxing Lu, Xuemin(Sherman) Shen "Enabling Pervasive Healthcare through Continuous Remote Health Monitoring" 1536-1284/12.

[3]. Namrata Nawka, Anil Kumar Maguliri, Dhirender Sharma, Preeti Saluja "SESGARH: A Scalable Extensible Smart-Phone based Mobile Gateway and Application for Remote Health Monitoring" 978-1-4577-1328-6/11

[4]. Hongzhou Yu, Lu Liu "Remote Health Monitoring System Using ZigBee Network and GPRS Transmission Technology" 978-0- 7695-4500-4/11

[5].Dr.(Mrs).R.Sukanesh,P.Gautham,P.T.Arunmozhivarman, S.Palanivel rajan,S.Vijayprasath "Cellular Phone based Biomedical System for Health Care" 978-1-4244-7770-8/10

[6]. Wan-Young Chung, Chiew-Lian Yau, Kwang-Sig Shin, and ksto Myllyla Member "A Cell Phone Based Health Monitoring System with Self Analysis Processor using Wireless Sensor Network Technology" 1 -4244-0788-5/07

[7]. J. H. Hong, J.M. Kim, E. J. Cha, T. S. Lee "A wireless 3-channel ECG transmission system using PDA phone" 0-7695-3038-9/07

[8]. Balakrishna D, Sujeethnanda M, Dr. G. Rama Murthy, "Mobile Wireless Sensor Networks: Healthcare in Hospitals", ifth International Conference on eHealth, Telemedicine, and Social Medicine(eTELEMED 2013)

[9]. Mrs. Rajashri Patil , Prof.Balaji Hogade "On Line Real Time Health Monitoring of ICU Patients using ARM7" International Journal of Computer Science and Network (IJCSN) Volume 1, Issue 3, June 2012.

[10]R. G. Landaeta, O. Casas, and R.P. Areny, "Heart rate detection from plantar bioimpedance measurements", 28th IEEE EMBS Annual International Conference, USA, 2006, pp. 5113-5116.