

Wireless Base CNC Mini Plotter Three Axis Control Machine

Ghulam Dastgeer¹, Prof. Muhammad Asad², Saad. S.S. Ali³

¹Student of GOVT College of Technology Faisalabad, Department of BSc Electrical Engineering & Technology Faisalabad (Affiliated With University of Engineering and Technology Lahore), Pakistan

²Professor of GOVT College of Technology Faisalabad, Department of BSc Electrical Engineering and Technology Faisalabad (Affiliated With University of Engineering & Technology Lahore), Pakistan

³Student of GOVT College of Technology Faisalabad, Department of BSc Electrical Engineering & Technology Faisalabad (Affiliated With University of Engineering and Technology Lahore), Pakistan

Abstract – In this paper, we make sure a propensity to style a cheaper cost wireless CNC mini plotter three axis control machine that combined with a microcontroller. CNC machines area unit processed numerically and conjointly use for draw cartoon pitchers and 3D pitchers with ninety seven.5% accuracy. The mechanically part according to design program fed into their controller unit. Controller unit can be both laptop and microcontroller. Wireless CNC machine have stepper & servo motors to draw the any pitchers or signature as per the fed program. This system essentially works with a HC-05 Bluetooth element (for wireless communication) 2 Stepper motors for axis of rotation and one servo motor (for z-axis). This technique reduces the human effort and utilization of vitality and time. As a result of we have propensity to use a HC-05 element for wireless communication between CNC machine and laptop or input devices, we have a propensity to manage a CNC machine with wireless communication. First paired devices and then give the G-Codes to Arduino. The economical and [proper] mounting of all the components and proper use the software system and alignment of the circuit build the system a lot of economical. We've got conjointly evaluated our economic machine and have found its performance adore the present cutting edge high ticket machines.

Key Words: CNC Controller, G-Codes, Arduino UNO, Motor driver shield (L-293d), Inscape, GCTRL Loader, HC-05 Bluetooth Module.

1. INTRODUCTION

CNC machines provides comprehensive to pc numerical curb and layout with 3D pitchers with accuracy. CNC that uses numerical knowledge to manage a machine. A machine management unit controls and guides the movements of the machine. This category conjointly describes PTP positioning that moves to the top position before the tool begins to chop or write and continuous path system which will move a tool on 2 or lot axis right away and cut or write throughout the movement. The idea of CNC primarily based machines was developed in mid-20th century and currently their development possesses a lot of matured as per industrial requirement's, however remains terribly big-ticket.. The rapidity of this machine is 10-20 times above the manual

that is simply due to accredited computer code and hardware, cost. Ancient CNC controllers ar supported parallel communication protocol to perform the desired task, these controllers ar needed to be connected with the pc system having parallel interface. This analysis work proposes and implements a wireless serial communication primarily based CNC, that is completely designed mistreatment open supply computer code and hardware tools. This computer code and hardware is definitely offered with less value and supply correct result similarly. It uses the HC-05 Bluetooth element to interface or wireless communicates with pc. The diagram of the look would be created on the computer code love categorical Inkscape. The image can turn out then be born-again into G-Code by mistreatment the Inkscape G-Code converter computer code that is free ware computer code. When changing the G-Code then this file transferred with wireless communication to Arduino with through HC-05 element. So as to drive the motors a motion controller is needed that we have a propensity to be mistreatment is L-293D motor driver. This driver particularly styles for Arduino UNO board. Pen or drilling bit is connected with the motors which are able to write or drill consistent with look that has been generated. We have a propensity to conjointly save the signature person in the database of the module which will be start printing as per user demand.

2. LITARATURE REVIEW

“WIRELESS COMMUNICATION USING HC-05 BLUETOOTH ELEMENT INTERFACED WITH ARDUINO” Mrs. Anisha Cotta, Miss. Naik Trupti Devidas, [2016].

This paper discusses the wireless communication victimization the Hc-05 bluetooth element, the Bluetooth topology and interfacing Bluetooth with arduino. Wireless communication technology refers to a ramification of wireless communication devices and technologies raging from smart phones to computers, tabs, laptop, Bluetooth Technology, printers.

“Low Cost Computer Numeric Controller Using Open Source Software And Hardware”. Muhammad Yaqoob Javed, Sayyad Tahir Hussain Rizvi, M. Amer

Saeed, Kamran Abid, Osama Bin Naeem, Adeel Ahmad, Kamal Shahid [2015]

This paper will exhibit the plane and creation of Laser fueled 3-pivot PC numerically controlled CNC machine which contain the utilized of a graphical UI [GUI] and Arduino small scale controlled to delivered beat width tweak [pwd] yields keeping in mind the end goal to run the stepper engines that will be utilized as a part of this slog have vigorously increment an enthusiasm in future investigations on the outline of body arrangement that can holds an electrical and electronic stage with a cooling framework consequently in this venture the temperature of stepper engines and simple drivers in expanding following a hour and a half of running condition while cooling would build unwavering quality term execution.

“Metrological Control of Selected Surface Types of a Mechanical Part by Using on-Machine measurement System” Michal Omamik, Ivan Baranek [2011]

Has proposed the CNC control for machine centers with learning capacity and programmed astute creating of NC program on the bases of a neural system which incorporated in with a CNC unit of an extraordinary gadget, this neural system is utilized for mining boring threading alike has figured out how to produce NC program which I player in CAM system.

3. OBJECTIVE

The objectives of this project ar style and implement a wireless CNC mini plotter 3 management axis machine which can} be capable of draw a numeric, signature and 3-D pitchers employing a solid surface.

4. Methodology

As per diagram the HC-05 module use for wireless communication then create the g-code file on inkscape when create file send into the arduino and motor drivers-L293D the methodor can show the standing of the system and provides command to the steppers and servo motor the steppers and servo motor to process the writing the command to the device. Here we have done a tendency to ar near to use to HC-05 Bluetooth element for wireless communication for handling and controlling of the system.

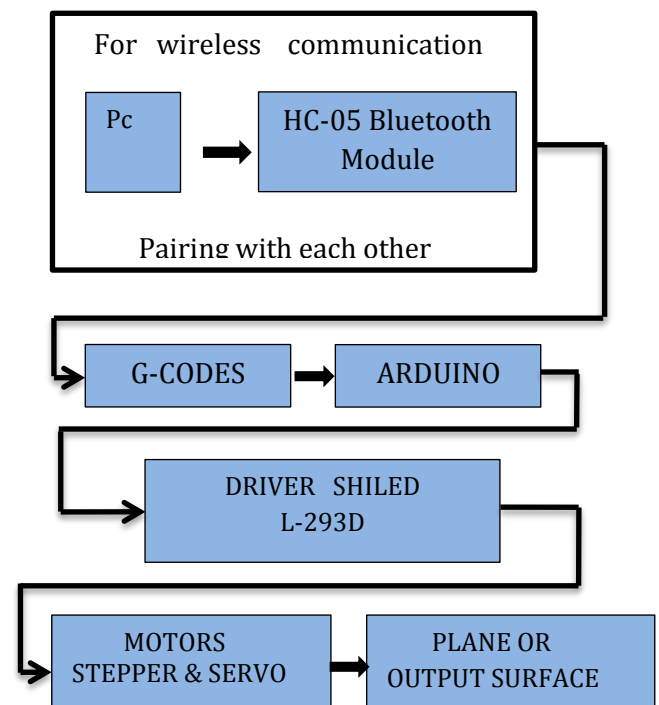


Fig.1 Block Diagram of wireless base CNC mini Plotter Three axis control machine

5. WORKING

The main components used in block diagram and It’s working as given below.

5.1 HC-05 BLUETOOTH ELEMENT

The HC-05 element use for dominated a Arduino employing a laptop or computer. HC-05 is a straightforward to use Bluetooth SPP (SERIAL PORT PROTOCOL) module, designed for clear wireless serial link setup. The HC-05 Bluetooth element will be utilized in a master or slave configuration, creating it an excellent resolution for wireless communication. This port Bluetooth element is absolutely qualified and cheaper and conjointly simply offered in market.



Fig 5.1 HC-05 Bluetooth Element

6. SCHEMATIC ARANGMENT

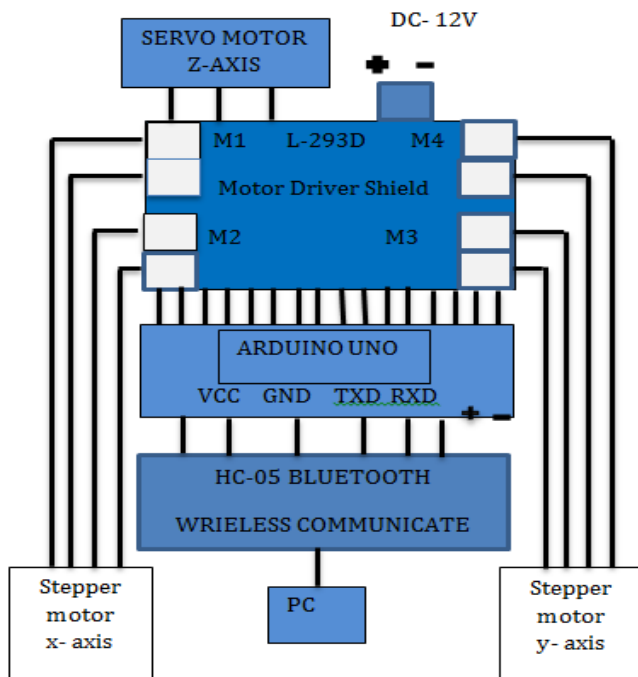


Fig6.1 Circuit Diagram

7. SOFTWARE & CODING

- ARDUINO IDE (VERSION 1.8.5)
- INKSCAPE (VERSION 0.48.5)
- PROCESSING (VERSION 3.0.2)

8. HARDWARE EMPLOYMENT

A. Mechanical Design Of Wireless CNC Plotter

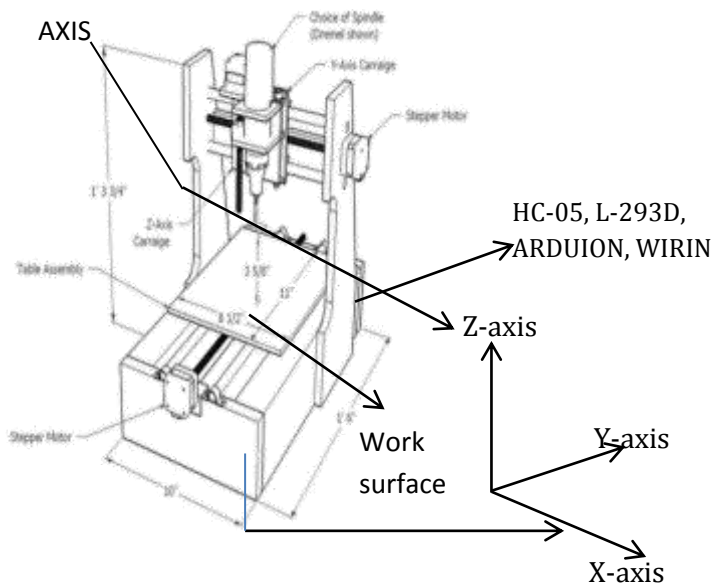


Fig 8.1 Motors setup of wireless Base CNC mini plotter

B. Parts Needed

- Stepper Motors
- Servo Motor
- HC-05 Bluetooth Element
- Motor Drivers L-293d
- Arduino UNO
- Pen

C. Mechanical Body Explanation

❖ HC-05 BLUETOOTH MODULE:-

HC-05 Bluetooth module:- The HC-05 Module use for a Arduino employing a laptop or computer. Hc-05 is a straightforward to use Bluetooth SPP (SERIAL PORT PROTOCOL) module, designed for clear wireless serial affiliation setup. The module has 2 types of operation, Command mode wherever we are able to send AT commands to that and information mode wherever it transmits and receives information to a different Bluetooth module like computer or pill.

▪ Pins Configuration

1. **Modify pin** = For indication ON OR OFF Once low
2. **VCC** = provide voltage three.3 to 5v
3. **GND** = Ground pin
4. **TXD & RXD** = Acts as Associate in Nursing **UART** interface for wireless communication
5. **STATE** = For Indications Connected or Not.



Fig 8.2 HC-05 Pin Configuration

❖ Motors Drivers L-293d

The motor drivers could be a nice motor controller for Arduino L-293D could be a monolithic integrated, high voltage, high current, 4-channa driver, essentially this implies victimization this chip you'll use DC MOTORS and power provides of up to ten volts, that's some pretty huge motors and therefore the chip will offer a most current of 500 to 600mA per channel, the L-293D chip is additionally what's referred to as a kind of H-

Bridge. The H-Bridge is direction to associate output, e.g. motor.



Fig 8.3 Motor Drivers L-293d

❖ **Servo Motor:** - A servo motor could be a mechanism|positioner|actuator} or linear actuator that enables for precise management of angular or linear position. The servo motor is placed in coordinate axis for the up and down movement of pen or bit. Servo motor has 3 pins.

- Power
- GND
- Signal pin



Fig 8.4 Servo Motor

D. COMPLETE WIRELESS CNC PLOTTER



Fig. 7 Complete Wireless CNC Mini Plotter

9. RESULT AND DISSCUSION

After implementing the system, we ensure a propensity to obtained superb results. We obligate a propensity to area unit exploitation the HC-05 Module for build the wireless CNC machine and this machine able to draw a pitchers style, numeric, and additionally signatures with wireless operate devices on solid surface.

10. FUTURE SCOP

- A multi station tool turret will be incorporated within the existing CNC machine on the far side next- generation pc numerical controls (CNC) there could also be video game for CNC proگرامing advance CNC intelligence advance automation and proگرامing for additive producing and AI assembly of small.
- Additive producing, 3D printing, wants CNC preciseness.
- It will be utilized in pen modified mechanism in plotters.
- It will use in trade for fabrication metals.

CONCLUSION

A CNC Machine is employed for Cutting, Writing, edge Drilling and Routing of virtually any materials for any reason and it are often used for any project. As per result we are able to complete abstract a wireless communication base CNC mini plotter machine supported software system and hardware for style, numeric, and signature. The wireless base CNC mini plotter is AN embedded system that works on the rule on pc numeric management (CNC).

References

- [1] "Metrological Control of Selected Surface Types of a Mechanical Part by Using on-Machine measurement System" Michal Omamik, Ivan Baranek [2011].
- [2] V.K. Pabolu and K.N.H. Srinivas, "Design and Implementation of a Three Dimensional CNC Machine", Int. J. Computer Science and Engineering, Vol. 2, Pp. 2567-2570, [2010].
- [3] "Low Cost Computer Numeric Controller Using Open Source Software And Hardware". Muhammad Yaqoob Javed, Sayyad Tahir Hussain Rizvi, M. Amer Saeed, Kamran Abid, Osama Bin Naeem, Adeel Ahmad, Kamal Shahid [2015].
- [4] "WIRELESS COMMUNICATION USING HC-05 BLUETOOTH MODULE INTERFACED WITH ARDUINO" Mrs. Anisha Cotta, Miss. Naik Trupti Devidas, [2016].
- [5] Automatic mini CNC machine for PCB drawing and drilling " Kajal J. Madekar, Kranti R. Nanaware, Pooja R.

Phadtare, Vikas S. Mane vol. 3, P-ISSN-2395-0072, [2016].

[6] Interfacing of AT Command base HC-05 Serial Bluetooth Module with Minicom in Linux” Sutariya Hardik Jayantilal, [2014].

[7] I. Nae and T. Andrei, “Desiging and Building a CNC Router Using Stepper Motors”, Serial Technical, Vo. LXII, PP.55-62, [2010].

[8] A Real Time Design and Development of Pen Plotter Machine for Authentication System and Signature Plotting” Komal A. Keche, Asst.Prof.Dipalee M. Kate Vol. 5 P-ISSN-2395-0072, [2018].