

IOT Based Mobile App for E-Farming using Decision Support System Irrigation (DSSI) Algorithm

T. Preethi¹, R. Sri Raja Lakshmi², Mr.A.Sivaramakrishnan³

^{1,2}UG Scholar, Computer Science and Engineering, Chettinad College of Engineering & Technology,
Tamilnadu, India

³Assistant professor Of Computer Science and Engineering, Chettinad College of Engineering & Technology,
Tamilnadu, India

Abstract - In olden Days Farmers won't to figure the ripeness of soil and influenced suspicions to develop which to quite yield. They did not believe the humidity level of water and particularly climate condition which terrible a farmer increasingly the online of things (IOT) is remodeling the agribusiness empowering the agriculturists through the extensive range of strategies, for instance , accuracy also as practical farming to affect challenges within the field. IOT helps in assembly information's on circumstances like climate, dampness, temperature and fruitfulness of soil. Crop web based examination empowers discovery of untamed plant, level of water, bug location, creature interruption in to the sector, trim development, horticulture. IOT utilize farmers to urge related together with his residence from wherever and at whatever point. Remote sensor structures are utilized for watching the house stead conditions and tinier scale controllers are utilized to regulate and mechanize the home shapes. To see remotely the conditions as picture and video, remote cameras are used. In our proposed solution to making an agriculture smart way using automation technologies of IOT.

Key Words: Soil moisture sensor, Humidity sensor, Temperature sensor, IOT.

1. INTRODUCTION

India's major source of income from Agriculture sector and 70% of farmers and General people depend on the agriculture. The Indian Irrigation systems for farmers are chosen most of the methods manually such as irrigation system of them. In order to enhance to the crop productivity there's an urgent got to change manual method to automation. Also consider the water availability throughout it. India it's one among the precious resources to guard and but future needs. Embedded based automatic irrigation system is suitable for Agriculturalist available at minimum cost. This system should help to the farmer that gives the water to crop at stringent time and quantity. Automation irrigation system observes the moisture sensors and temperature variations of round the crop area that's gives a particular time of operation the motor turn and OFF. So

automatically human avoid the human errors and check soil moisture level. Internet of things (IOT) is allowing controls the systems from remote area over an online. It can controls the sensors which are used at various areas at blinding roads railways grids and water control systems. So it can avoid the human errors and errors appear during system operation. IOT is the emerging area that penetrates other area and made them so efficient. It develop now a days by inclusion of new sensors, sensor network, RF based communications .It can exhibits smart intelligence, precise sensing along with good identification. With IOT, a change has occurred in computer network base technologies and mobile based technology. Now days other networks are 3G, LTE, GSM, WLAN, WPAN, NFC, Bluetooth that develops IOT so smart system and operate system at remote places.

2. EXISTING SYSTEM

Horticulture is the foundation of our Nation. In while past day's agriculturists won't to figure the ripeness of soil and influenced presumptions to develop which to quite product. They didn't believe the dampness, level of water and particularly climate condition which horrible an agriculturist more. They utilize the best pesticides which made lead a genuine impact to the yield .The profitability relies upon the last phase of the harvest on which agriculturist depends. Indian agriculture is on a setback due to lack of proper knowledge of best agricultural practices, which when implemented can increase the yields at minimal costs instead the people are scaring away from agriculture and related activities due to heavy loans which they have incurred or have to incur on themselves in order to get better yields or at least get a living out of agriculture, scarcity of natural resources is also an add on for farmers quitting up on farming and hence the Indian economy is also getting affected by great deal as a large proportion of fertile lands of our country are getting wasted, which were otherwise the major source of the nation's GDP once.

3. PROPOSED SYSTEM

To improve the efficiency of the merchandise there by supporting both rancher and country we'd like to utilize the innovation which appraises the character of harvest

and giving recommendations. The Internet of things (IOT) is revamping the agribusiness engaging the farmers by the broad assortment of techniques, for instance, accuracy and conservative cultivation to go up against challenges in the field. IOT advancement aids in social affair information on conditions like atmosphere, level of water, bug acknowledgment this could be improved the cultivation. IOT utilize farmers to urge related together with his residence from wherever and at whatever point. Remote sensor frameworks (IOT) are used for checking the farming conditions.

In this paper a Precision Agriculture has the advantage of giving continuous reproves on various distinctive yield and site factors. As its name suggests, Precision Agriculture is exact in both the extent of the merchandise territory it screens and additionally within the conveyance measures of water, compost, then forth. Precision agriculture seeks to use new technologies to extend crop yields and profitability while lowering the amount of traditional inputs needed to grow crops (land, water, fertilizer, herbicides and insecticides). In other words, farmers utilizing the precision agriculture are using less and grow more.

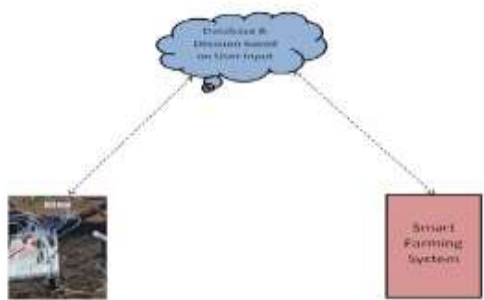


Fig -1: Android Application

In the system the hardware to gather the data using IOT and software that have all agriculture activities for farming to utilize the best practices of farming like fertilizers, pesticides, weather information, new government schemes, temperature, farming tips and via sensor it will be controlled by IOT. In Using DHT 11 sensor that analyze soil Temperature, Humidity and Nutrient Content that could be intimate to farmer. Sensed by soil moisture sensor and report to the device that could be controlled by IOT. We using DSS a web panel will monitor in real time all sensors data, besides the DSS will activate or deactivate the irrigation.

4. BLOCK DIAGRAM

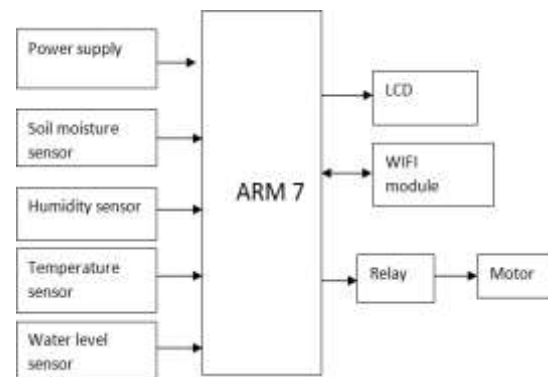


Fig -2: ARM Architecture

The reason for the ARM7 processor is that it interfaces to every one of the parts related with the Development pack. Number of pins in ARM processor is 64. Each stick is relegated with specific segment of the unit for performing particular capacity. The edge estimation of the sensors is about during this LPC 2148 processor which is charge of the programmed ON and OFF of the engine which is combined with the pump to directing water to the horticultural land. The temperature limit esteem are going to be refreshed to server or framework, through IoT for every one minute from the incorporated advancement pack. DHT 11 temperature sensors and Humidity esteems in go is the water esteems in run Motor on STOP otherwise it will be ON server.

5. LITERATURE SURVEY

Ayush Kumar and at al utilized IoT and movie handling to locate the supplement and mineral insufficiencies that influence the yield development [1]. M.K. Gayathri and at al advance the fast improvement of agrarian modernization and help to acknowledge brilliant account horticulture and productively explain the problems identified with ranchers [2]. Zhou Zhongwei and at all have proposed a technique to picture and follow rural items in inventory network [3]. Li Sanbo and at al center around the equipment engineering, arrange design and programming process control of the exactness water system framework [4]. Smash and atal have proposed an approach to direct water within rural fields [5]. Bo Yifan and atal have concentrated on the investigation on the use of distributed computing and the Internet of things in horticulture and ranger service [6]. M.V. Latte and at all have utilized shading and example investigation to recognize numerous insufficiencies of paddy leaf pictures.



Fig -3: DHT-11 sensor

DHT-11 Humidity is coordinated circuit sensors that can be utilized to gauge the nearness of water in arrive. The DHT11 is a commonly used as Temperature and humidity sensor. The sensor comes with a fanatical NTC to watch temperature and an 8-bit microcontroller to output the values of temperature and humidity as serial data. The sensor is also calibrated and hence easy to interface with other microcontrollers. The sensors can measure temperature from 0°C to 50°C and humidity from 20% to 90% with an accuracy of ±1°C and ±1%.



Fig -4: Moisture Sensor

Soil sensor could also be a sensor which faculties those wetness material of the soil. That sensor need even as the plain and therefore the propelled yield. The propelled yields are going to be created and therefore the plain yield limit might a chance to be oscillated. That yield could also be secondary or low demonstrated toward the headed. During those side of the point when the mud may be dry, those current won't experience it Along these line sit will clear out for Concerning illustration open circuit During those purpose The point when those soil is dry it automatically on the Motor otherwise it will be off the Motor.

LPC2148 is the generally used is from ARM-7 family. It will be aggravated Eventually Tom's perusing Philips and it may be pre-stacked with different inbuilt peripherals making it that's only the tip of the iceberg supportive what's more a robust decision for the understudies and also astonishing provision originator. LPC2148 need 32kb with respect to



Fig -5: ARM Processor

Chip SRAM additionally 512 kb for chip streak memory [8]. It needs integral help dependent upon 2kb end point USB crush also. This enormous sum of memory is great suiting for practically every last one of requisitions. LPC2148 require least underneath recorded fittings on worth of effort appropriately.

6. DSS - IRRIGATION ALGORITHM

Computer based program that assets with decision making process. In agriculture biological, chemical and physical process involved. The implemented decision algorithm concerning the enabling and the deactivation of electro valves is based on the concept that thresholds are in real time compared with the following main parameters coming from the "Weather Station" and from the "Field Station".

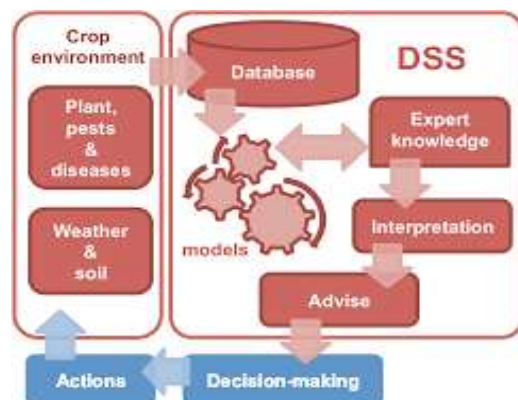


Fig -6: DSS-I architecture

7. IMPLEMENTATION

ARM is earlier Advanced RISC Machine, it originally RISC Machine, could too be a family of Reduced instruction set computing (RISC) architectures for computer processors, configured for various environments. ARM Holdings periodically releases updates to the architecture Processors that have RISC architecture typically require fewer transistors than those with a Complex instruction set computing (CISC) architecture which improves cost, power

consumption, and heat dissipation. These characteristics are enviable for light, portable, battery-powered devices—including Smartphones, laptops and tablet computers, one minute from the incorporated advancement pack. LM35 temperature sensors utilize speaker at the accurate supporters outright temperature (estimated in Kelvin) into also Fahrenheit or Celsius rely leading it arrangements. The two resistors are adjusted in the production line to create an exceedingly exact temperature sensor. Other embedded system for supercomputers, which consume large amounts of electricity, ARM could also be power-efficient solutions. Circuit has various transistors in it - two in the center, a few in each intensifier, a few in the dependable flow source, and several in the bend give circuit.

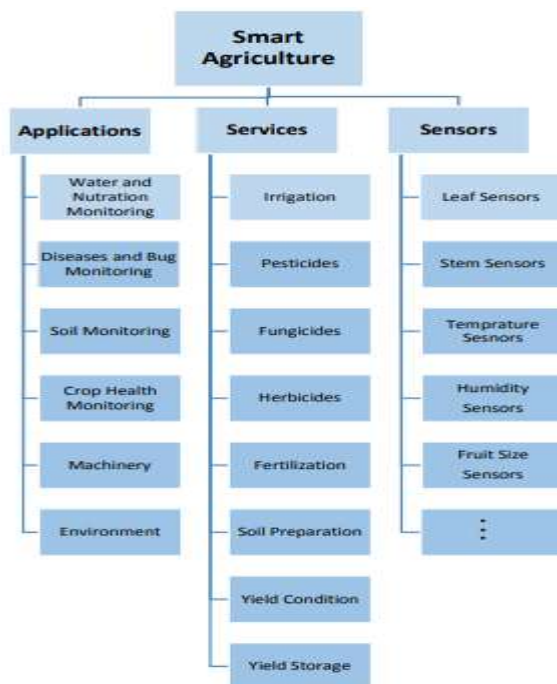


Fig -7: Service and sensor for E-Farming

The breaking points of (1RH%-100 RH %) can be set in the microcontroller if its goes above past 10 RH% conditions will be unusual generally dampness level will be in ordinary conditions. The qualities have refreshed to framework through IoT passage. Drought is the major concerned which limits the productivity of crop yield. Most of the regions around the globe face this issue with various concentrations. To deal with this issue, especially in very rural areas, remote sensing is being used to obtain frequent soil moisture data which helps to analyze the agricultural drought in distant regions. For this purpose, the Soil Moisture and Ocean Salinity (SMOS) satellite was launched in the year of 2009 which provides global soil moisture maps every, one to two days.

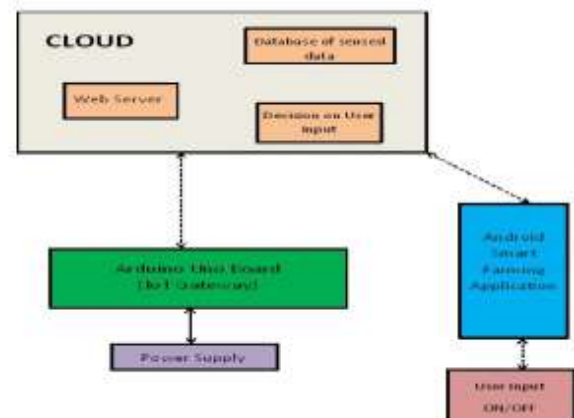


Fig -8: IOT implementation

The highlights of stickiness sensor are excellent linearity, low power utilization, wide estimation extend, fast reaction, against contamination, high dependability, elite value proportion. Water level pointer is employed to quantify the water level in water system arrive. In the water level sensor esteem measure by utilizing scale level and it's speak to in cm. On the off chance that the water level achieves the base of the metal bar it demonstrates unusual condition and the control will consequently turn ON, the engine. In the event that the water achieves the specific level the engine can be killing naturally.

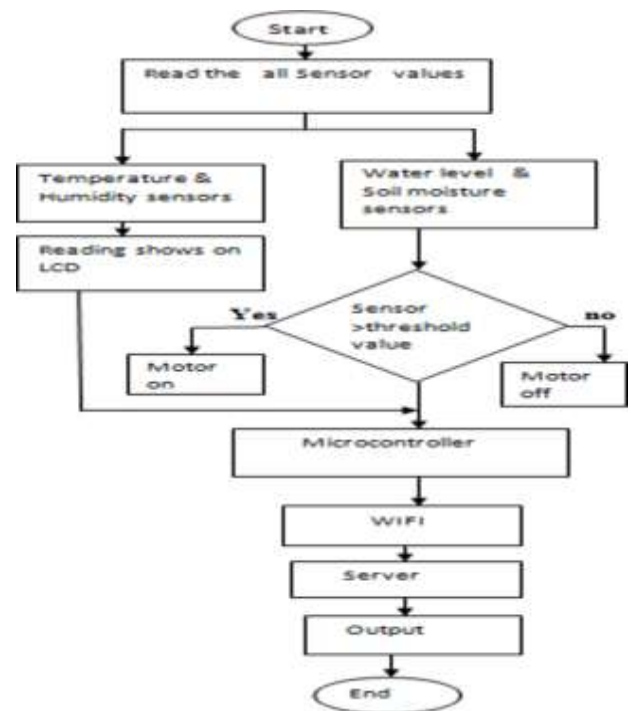


Fig -9: Flow chart

These statuses can be endlessly revived to the structure using IoT. The Internet of things (IOT) would be the internetworking connected with brute machinery, transit,

architecture and varying things embedded with equipment, programming, sensors, actuators, and framework organize that engage these articles to gather and exchange data. These contraptions hoard critical data with the help of various existing advances and after that openly stream the data between various devices. The modules can even be reconstructed to go about as an independent Wi-Fi. IOT is becoming 3.3v power- doesn't self- discipline magnetism accompanying 5 volts. Data processing should put across by the use of 3.3v additionally doesn't feel 5v tolerant sources of information, so you require level change to speak with a 5V microcontroller.

8. RESULT

The yield appeared beneath signifies the temperature, soil dampness state and therefore the gate crasher discovery. The next outcome is that the yield as of the Android purpose that's produced within the telephone. It decides the temperature, stickiness, dampness also because the interloper discovery.



Fig -10: Monitoring various sensors information using IoT



The yield appeared beneath signifies the temperature, soil dampness state with the gate crasher identification. The second outcome is the yield from the Android purpose that is

produced in the cell phone. It decides the temperature, dampness, dampness with the gate crasher location.

9. CONCLUSION

Therefore, the paper proposes a thought of consolidating the most recent innovation into the agrarian field to turn the customary techniques for water system to current strategies in this way making simple profitable and temperate trimming. Some degree of mechanization is presented empowering the idea of observing the field and the product conditions inside some long-separate extents utilizing cloud administrations. The points of interest like water sparing and work sparing are started utilizing sensors that employment consequently as they're modified. This idea of modernization of farming is simple, reasonable and operable. As relying upon these parameter esteems such as fungicides and pesticides are utilized for enhancing crop creation

10. REFERENCES

- a. k.lakshmisudha, Swathi hedge, Neha Cole, shruti iyer, " good particularity most stationed cultivation spinning sensors", state-of-the- art weekly going from microcomputer applications (0975-8887), number 146-no.11, July2011
- b. Nikes gondchawar, dr. r.complexion.kawitkar, "IoT based agriculture", all-embracing almanac consisting of contemporary analysis smart minicomputer additionally conversation planning (ijarce), vol.5, affair 6, June 2016. Overall Journal on Recent and Innovation Trends in Computing and Communication ISSN: 2321- 8169 Volume: 5 Issue: 2 177 -181
- c. M.K.Gayatri, J.Jayasakthi, Dr.G.S.Anandhamala, "Giving Smart Agriculture Solutions to Farmers for Better Yielding Using IoT", IEEE International Conference on Technological Innovations in ICT for Agriculture and Rural Lustiness. r. nandurkar, slant. r. thool, r. tumor. Thool, "plan together with situation Coming from rigor horticulture technique
- d. Executing trans-missions sensor network", IEEE world consultation toward telemechanics, regulate, intensity also wiring (aces), 2014. Development (TIAR2015).
- e. Paparao Nalajala, D. Hemanth Kumar, P. Ramesh and Bhavana Godavarthi, 2017. Design and Implementation of Modern Automated Real Time Monitoring System for Agriculture using Internet of Things (IoT). Journal of Engineering and Applied Sciences, 12: 9389- 9393.
- f. Joaquin Guti rez, Juan Francisco Villa -Medina, Alejandra Nieto- Garibay, and Miguel Angel Porta

- Gadara, "Computerized Irrigation System Using a Wireless Sensor Network and GPRS Module", IEEE Transactions on Instrumentation and Measurements, 0018-9456, 2013
- g. Paparao Nalajala, P Samba Siva Rao, Y Sangeetha, Ootla Balaji, K Navya," Design of a Smart Mobile Framework Based on the Internet of Things", Advances in Intelligent Systems and Computing, Volume 815, Pp. 657-666, 2019.
- h. V.Ramachandran, R.Ramalakshmi, and Seshadhri Srinivasan, An Automated Irrigation System for Smart Agriculture Using the Internet of Things, 2018 15th International Conference on Control, Automation, Robotics Vision (ICARCV) Singapore, November 18-21, 2018
- i. Patel K. A, N. R. Kale, " A Model for Smart Agriculture Using IoT", International Conference on Global Trends in Signal Processing, Information Computing and Communication, IEEE 2016.
- j. W. A. Jury and H. J. Vaux, "The emerging global water crisis: Managing scarcity and conflict between water users," Adv. Agronomy, vol. 95, pp. 1-76, Sep. 2007.
- k. Ibrahim Mat, Mohamed Raiden Mohd Kassim, Ahmad Nizar Harun, Ismail Mat Yusoff , "IoT in Precision Agriculture Applications Using Wireless Moisture Sensor Network", 2016 IEEE Conference on Open Systems (ICOS), October 10-12, 2016, Langkawi, Malaysia.
- l. Y. Kim and R. G. Evans, —Software design for wireless sensor-based site-specific irrigation, computes. Electron. Agriculture. vol. 66, no.2, pp. 159-165, May 2009.
- m. Terry Howell, Steve Event, Susan O'Shaughnessy, Paul Colaizzi, and Prasanna Gowda, "Advanced irrigation engineering: precision and precise", The Dahlia Greidinger International Symposium 2009.
- n. IoT for All, "IoT Applications in Agriculture", <https://www.iotforall.com/IoT-applications-in-agriculture/>, January 2018.
- o. Alfian, G.; Syafrudin, M.; Rhee, J. Real-Time Monitoring System Using Smartphone-Based Sensors and No SQL Database for Perishable Supply Chain. Sustainability 2017, 9, 2073.
- p. Hidrobo, M. and Gilligan, D., Using quantitative methods to evaluate mobile phone technology based nutrition and agriculture advisory services in Ghana, Evaluation Methodology Brief 1, Brighton, 2017

BIOGRAPHIES



Mr. A. Sivaramakrishnan B.E., M.E, currently working as an Assistant Professor in the Dept. Of CSE, Chettinad College of Engg & tech., Tamilnadu. He has gone for, 4 Conference papers. He had achieved many real-time projects and likewise in a Software Development group of Chettinad tech.



T. Preethi, She is a UG Scholar at Chettinad tech. She has done a Real-time project of Smart Irrigation System with message alert in the year of 2019.



R. Sri Raja Lakshmi, She is a UG Scholar at Chettinad tech. She has done a Real-time Project of Online out pass request system in the year of 2019.