

# Electrical Design and Drafting Analysis of Real Time Building Project

Jayshri D. Kalmegh<sup>1</sup>, Prof. Chetan M. Bobde<sup>2</sup>

<sup>1</sup>PG Student, G.H.Raisoni College of Engineering, Amravati

<sup>2</sup>Head of Department, Electrical Engineering, G.H.Raisoni College of Engineering, Amravati

\*\*\*

**Abstract** - In recent years there has been a push within the electrical power industry for additional client involvement within the electricity markets. Historically the tip user has contend a passive role within the coming up with and operation of the power system grid. However, several energy markets have begun gap up opportunities to consumers United Nations agency would like to commit an exact quantity of their electrical load underneath numerous demand aspect management programs. The potential edges of additional demand participation embody reduced operative prices and new revenue opportunities for the buyer, yet as additional reliable and secure operations for the utilities. The management of those load resources creates challenges and opportunities to the tip user that weren't gift in previous market structures. This work examines the behavior of commercial-type building electrical hundreds and their capability for supporting demand aspect management actions. This work is intended by the necessity for correct and dynamic tools to assist within the advancement of demand aspect operations. This paper is reviewing the different types of approach for design of load distribution system for commercial or industrial building load management. This paper will be very much useful in future for students and researchers those work in the field of load management or load dispatched of distribution areas.

**Key Words:** wiring design, load distribution, electrical load planning

## 1. DIFFERENT TECHNIQUES FOR LOAD DISTRIBUTION

One of author was presents [1] a building modeling approach to quickly quantify global climate change impacts on energy consumption, peak load, and electrical load composition of residential and industrial buildings. This analysis focuses on addressing the impact of temperature changes on the building heating and cooling load in ten major cities across the Western US and North American country. A building simulation computer code is initial accustomed quantify the hourly energy consumption of various building sorts by end-use and by vintage. Then, the temperature sensitivities area unit derived supported the climate knowledge inputs.

The study conjointly provides a bottom-up approach to characterize the everyday building load profiles for business and residential buildings. That future study can concentrate on the aggregation load impact study. Mistreatment survey knowledge, building combine will be

obtained for various feeders, cities, and areas. Then the climate impact on a wider space load will be addressed. By dynamic the setting of the building simulation inputs, one also address to what extent new building materials and construction technology and advanced energy-efficient appliances can scale back the building energy consumption and mitigate the adverse impact of temperature change.

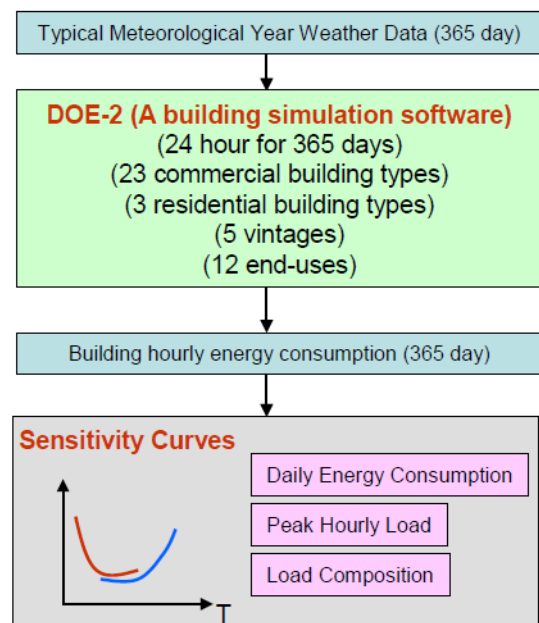


Fig-1: A block diagram of the simulation inputs and outputs [1]

For many engineering studies involving business buildings, fast however reliable estimates for building electrical load characteristics are useful. Often, very little info concerning the building electrical characteristics is understood, thus such estimates should be drawn from general engineering information or historical knowledge. within the us, the business Buildings Energy Consumption Survey and therefore the Department of Energy business Reference Buildings offer historical and simulation knowledge, severally, that will be accustomed predict the electricity consumption of economic buildings. This method develops [2] a strategy for mistreatment these knowledge sources to develop typical load characteristics, as well as building average power, electricity consumption, peak demand, load length curves, and typical load profiles.

Numerical results for workplace buildings area unit given. Taken along, CB ECS survey knowledge and simulation knowledge from the DOE industrial Reference Buildings

enable estimation of economic building electricity consumption and cargo characteristics. Though actual buildings vary wide in their electricity consumption characteristics, the values developed victimization the averaging ways represented during this paper [2] yield affordable representations for several industrial buildings. The operation tables obtained offer initial building load estimates while not the necessity to perform intensive simulation studies for every new style, saving substantial time. The load characteristics given area unit appropriate inputs for preliminary engineering style studies of workplace buildings, and therefore the methodology represented may be pronto extended to different industrial building varieties. Future work includes validation of those numbers against further building knowledge and extension of the analysis to specific load classes.

Author presents [3] an energy planning rule for a tiny-scale microgrid serving small to medium size industrial buildings (the Building Microgrid) that has typical and renewable distributed generation resources, energy storage, and each linear and nonlinear hundreds. An important study objective is to mitigate power quality problems through coordinating the operational schedules of sensitive devices within the Building Microgrid. The projected energy planning rule is developed as a mixed whole number programming drawback wherever power quality necessities area unit within the constraints. The rule conjointly involves validation with the harmonics and dynamic event simulations. Case studies are performed with realistic model parameters to verify the performance of the rule. The study results demonstrate the effectiveness of the rule in managing voltage and frequency deviations, further as harmonic distortions. Within the transaction-based management framework, the projected rules are often accustomed combination device group action bids and facilitate the buildings-to-grid integration.

Power quality problems area unit outstanding within the standalone operation of little capability microgrids like those serving little to medium size industrial buildings. This study has planned [3] a MIP-based energy planning algorithmic rule wherever the ability quality necessities on voltage and frequency deviations, and harmonic distortions area unit implemented as constraints. Whereas making an attempt to comprehend most total welfare, the algorithmic rule coordinates the operation schedules of nonlinear and motor hundreds in order that power quality necessities of sensitive instrumentation and appliances area unit met throughout operation. Repetitious solutions with the steady state and dynamic analysis tools like the Open DSS and PSCAD area unit needed so as to get such energy schedules. The planned algorithmic rule are often enforced in an exceedingly industrial building atmosphere wherever a BAS is gift, and with distributed generation and hundreds managed by device agents on an MAS platform. Within the transaction-based framework, Building Microgrids will effectively fulfill the purposeful role of building end-use web site to facilitate building to grid integration. Meanwhile, this planned algorithmic rule will serve to mixture the energy dealing bids of the building devices before act to the higher tier level energy management.

Author was present a numerical illustration [4] for business load profiles supported completely different climate zones. The load profiles of sixteen business buildings settled in 935 cities representing fifty States within the U.S. square measure clustered victimization k-means considering the geographic coordinates and therefore the time zones. The geographic coordinate works as a neighborhood criterion to assign a climate zone for cities inside the state, the geographical zone acts as a regional criterion to cluster cities with constant climate zone in numerous states supported their time zones. The clusters square measure evaluated victimization each external and internal validity indices. A complete of sixteen annual load profiles square measure used as representative for sixteen completely different climate zones for every business building during this method. Not like the prevailing illustration for the business load profiles within the literature victimization graph illustration, the obtained profiles during this study square measure numerically conferred. This method contributes to the literature by proposing a numerical illustration for business load profiles at sixteen climate zones, that square measure successively are often used wide in good grid application.

This method [4] demonstrates a technique to extract the probabilistic annual load profiles for many business buildings settled at completely different climate zones. The load profiles for supermarkets at four completely different climate zones square measure numerically painted. Results clearly show the variations of peak values and peak times of weekdays and weekends, of various seasons, and of various climate zones. As future work, additional investigation ought to be performed to indicate whether or not the variations square measure statistically important or not.

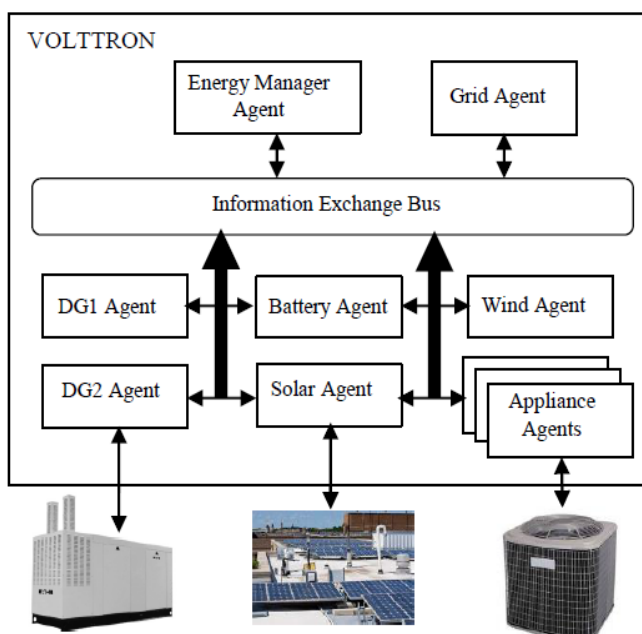


Fig-2: VOLTTRON as the multi-agent system platform [3]

The US Department of Energy (DOE) sponsored a study to see the national savings doable within the industrial buildings through widespread preparation of controls, elimination of faults, and use of higher sensing. The study calculable savings from thirty four measures in nine building sorts and across sixteen climates. These buildings square measure to blame for virtually fifty seven of the US industrial building sector energy consumption. Additionally to the individual measures, 3 packages of measures were created to estimate savings: (1) economical building, (2) typical building, and (3) inefficient building. The results showed important potential for energy savings across all building sorts and climates. The entire website potential savings by building sort mass across all climates for every live varied between zero and Sixteen Personality Factor Questionnaire. The total website potential savings mass across all building sorts and climates for every live varied between zero. The national potential website energy savings across all building sorts studied is twenty ninth. Across all building sorts, the savings represent roughly 1393 PJ (1.32 quads) of website energy savings or 2912 PJ (2.76 quads) of primary (or source) energy savings.

The total website potential savings aggregative across all building varieties and climates for every live varied between zero and Martinmas. The national potential website energy savings across all building varieties studied is twenty ninth. Across all building varieties, the savings represent roughly 1393 PJ (1.32 quads) of website energy savings or 2912 PJ (2.76 quads) of primary (or source) energy savings. Extrapolating the results for alternative building varieties not analyzed as a part of this study, the first energy savings may be within the vary of 4220 to 5275 PJ. For comparison, the overall America primary energy consumption across all sectors of energy use was 102,762 PJ (97.4 quads) in 2015. This makes business building management enhancements strategically vital to sustained reductions in national energy consumption.

To realize most of this potential savings, several gaps are often addressed through analysis development and readying (RD&D), as suggested during this technique [5]. This study investigated the P.E. savings within the United States of America industrial building sector that would be achieved on a national level by absolutely implementing common and advanced building management measures in, and eliminating common system and part faults from, HVAC systems. These measures specialize in however instrumentality is operated and don't need major retrofits of existing instrumentality. Therefore, the direct value and payback periods for management enhancements tend to be far better than for instrumentality or envelope retrofit comes. A number of the measures, however, could need upgrades to manage infrastructure, together with however not restricted to installation or upgrade of BASs, upgraded communications infrastructure with finish devices, and new controllers and variable-speed drives on bound fans and pumps in some buildings. This study used energy modeling to perform simulations of thirty four measures in models of

nine industrial building varieties that represent fifty seven people industrial sector energy consumption. These measures were simulated all told sixteen ASHRAE climate zones, and savings were weighted per projected industrial sector floor space by climate and building kind from the 2012 CBECS. The energy modeling conjointly relied on packages of measures developed to represent a diversity of states of management (inefficient, typical, and efficient) gift within the existing building stock, and compared those packages to a perfect building representing an inexpensive approximation of best practices all told areas of building management. The distinction between this state of building controls and also the ideal state is that the assumed savings potential.

To realize most of this potential savings, many gaps are usually addressed through analysis development and preparation (RD&D), as steered throughout this method [5]. This study investigated the P.E. savings inside the US of America industrial building sector that might be achieved on a national level by fully implementing common and advanced building management measures in, and eliminating common system and half faults from, HVAC systems. These measures concentrate on but instrumentality is operated and do not want major retrofits of existing instrumentality. Therefore, the direct worth and payback periods for management enhancements tend to be much better than for instrumentality or envelope retrofit comes. Variety of the measures, however, may wish upgrades to manage infrastructure, in conjunction with but not restricted to installation or upgrade of BASs, upgraded communications infrastructure with end devices, and new controllers and variable-speed drives on sure fans and pumps in some buildings. This study used energy modeling to perform simulations of thirty four measures in models of 9 industrial building varieties that represent fifty seven folks industrial sector energy consumption. These measures were simulated altogether sixteen ASHRAE climate zones, and savings were weighted per projected industrial sector floor area by climate and building kind from the 2012 CBECS. The energy modeling collectively relied on packages of measures developed to represent a diversity of states of management (inefficient, typical, and efficient) gift inside the present building stock, and compared those packages to an ideal building representing a reasonable approximation of best practices altogether areas of building management. The excellence between this state of building controls and additionally the best state is that the assumed savings potential.



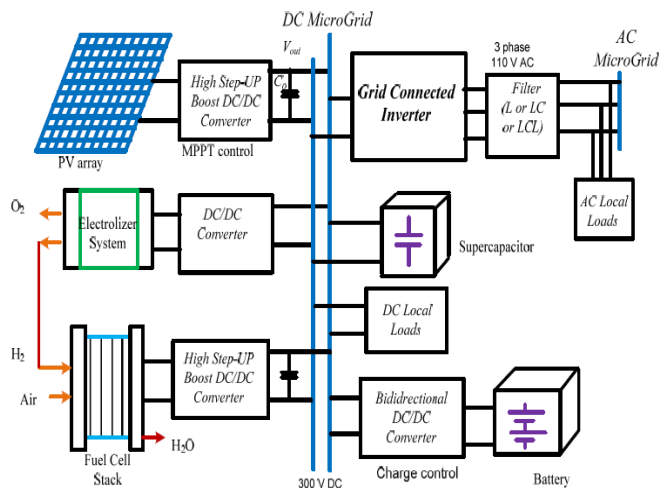


Fig-3: Block diagram of the proposed PV/FC system [6]

An algorithmic rule for intelligent management and management are developed to make sure optimum operation of a DC microgrid composed of 2 renewable energy sources (solar and also the fuel cell) and a 2 storage sources (battery bank and supercapacitor) [6]. An energy management algorithmic rule, still because the management of power converters, were developed. The DC microgrid is designed and simulated in MATLAB/Simulink surroundings. The simulation results show that the projected energy management supports the bottom use of utility power. The super capacitor energy storage compensates the slow response of cell and solar PV unit. The projected strategy is ready to share the ability among the metric weight units even underneath unbalanced conditions. Also, it's seen that the output voltage of metric weight unit terminals is enhanced once the electrical phenomenon unit is accessorial in conjunction with cell and also the super capacitor. The business building masses for the DC microgrid were thought-about and also the DC microgrid will exchange power with the grid. Since banking system were used as a backup for the PV arrays, particularly in islanded operation. The DC microgrid that was utilized in this study has high dependability.

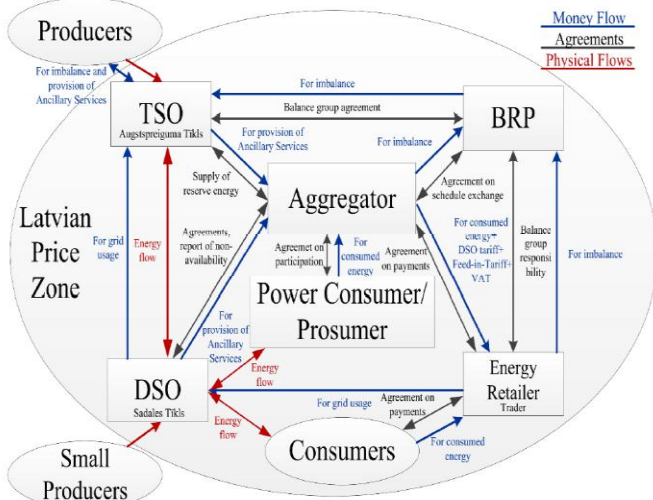
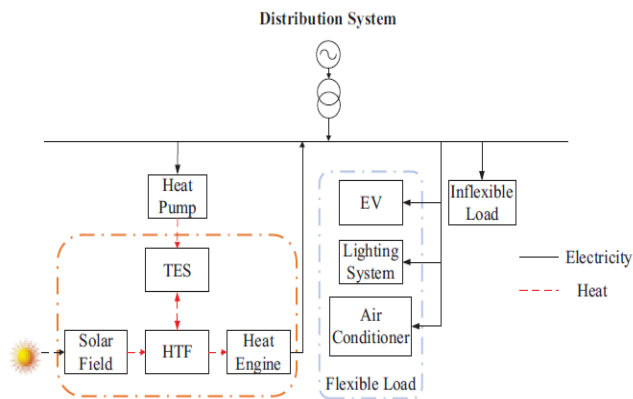


Fig-4: General electricity market design structure [7]

Author was provided [7] a summary on the potential of demand aspect management of the present business building situated in Baltic Republic. It aims to attain the rational use of energy reduction supported price responsive demand and demonstrate 1st steps of implementation of business building automation system with automatic energy consumption planning units for load flexibility and manageable portion estimation. To activate demand response potential and change freelance individual participation within the Latvian scale, relationships between suppliers, BRPs, TSO and DSO square measure shown inside general electricity market structure, taking into consideration the present standing and promising areas of DR within the Baltic region.

DR strategy coming up with from the first part of its implementation will cut back the chance of missing effective DR methods or programming unwanted methods. Performing arts building simulations can cut back prices and efforts to manually demonstrate the impact of DR methods. Analysis of the mixture of demand, energy, comfort and social science is vital to realize the simplest DR strategy for any building. The practicable study shows that buildings shouldn't have fastened management schemes for DR. This is often as a result of buildings have totally different energy necessities throughout the year and therefore the proportion of power that's curtailed from lighting or HVAC changes with outside temperatures. For this reason, automatic system has to be good enough to regulate the mixture of contribution from these 2 classes of masses. The results of this study supplement the studies performed in Estonia. However, extra studies would be necessary to hide all doable DR/DSR application areas therefore on reach results comparable within the Baltic States context that in its flip can promote coordinated changes in legislation for creation of liquid and clear market of flexibility services.

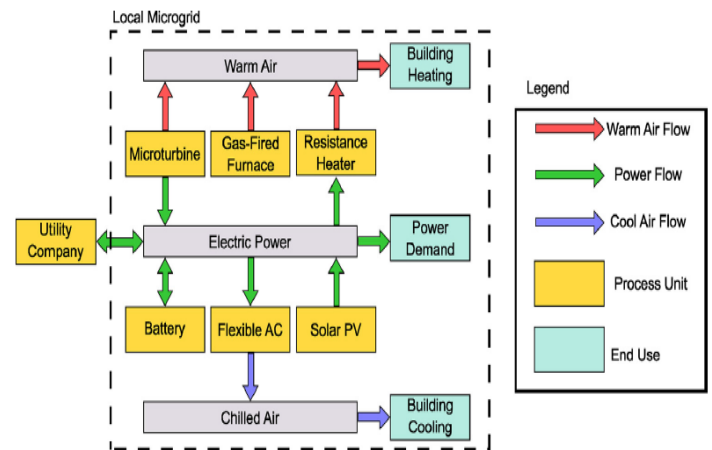
With the event of sensible grid technology, every entity during a power grid, from power sources to finish users, may have additional intensive interactions with some others. This method was present, [8] versatile masses and rising concentrating solar power (CSP) plants square measure thought of as generalized demand response resources and sent hand in glove to mitigate the matter of scarce power offer throughout peak load periods. Various industrial buildings have nice potential to produce dispatching flexibility for an influence system through generalized demand response management. Given this background, associate degree optimum operation model is bestowed with associate degree objective of minimizing the full operational value of a given industrial building with a CSP plant, a apparatus, inflexible masses, electrical vehicles (EVs), lighting systems and air conditioners enclosed. A extremely economical problem solver YALMIP is next used within the MATLAB atmosphere to unravel the developed improvement model. Finally, associate degree office block is utilized to demonstrate the projected optimum operation model.



**Fig-5:** The infrastructure of a commercial building system [8]

A best operation model for business buildings to coordinately schedule a CSP with a apparatus and versatile masses is conferred during this paper [8]. The CSP plant with the warmth pump, EVs, lighting system and air conditioners during a business building all answer the TOU electricity worth as generalized demand response resources. Every element is represented in details Associate in Nursing integrated into the best operation model with an objective to reduce the operation price. The performance of the developed model is examined through case studies of Associate in Nursing office block. Simulation results demonstrate that the CSP plant with a apparatus has smart adjustable characteristics, and therefore the conferred generalized demand response management will mitigate the height demand and attain economic advantages.

Author was explores the load shaping ability of microgrid power systems in addition to versatile operation of HVAC systems for business customers. Within the projected framework [9], this integrated system is treated as a dispatch able power source/sink so as to mitigate the uncertainty and variability obligatory on the external utility company. The load shaping needed is enabled by the natural flexibility in area heating and cooling, along side dispatch able microgrid resources like batteries. A hierarchal management approach is developed for the planning and higher-up management of the versatile masses and dispatch able energy units among the microgrid. Random optimization is employed for planning at the slow duration to confirm foretelling errors in renewable handiness and energy demands are often rejected. Settled optimization is employed at the quick duration to update dispatch choices in response to complete conditions. A case study demonstrates that this projected management approach is ready to well scale back the uncertainty and variability in energy exchange with the external utility across a range of economic load varieties and in numerous seasons.



**Fig-6:** Energy flow diagram of the microgrid system considered [9]

In this method [9], a scheduling/supervisory management framework is developed for microgrids that may be accustomed expressly limit the uncertainty and variability within the residual load throughout the year. The formulation bestowed uses versatile heating and cooling masses to assist address load shaping desires. A case study utilizing multiple totally different industrial load shapes shows a considerable improvement in each the ratio and cargo variability are ascertained altogether seasons. For acceptable building sorts, this load shaping solely leads to a 15 August 1945 increase in microgrid disbursement for many of the year. Climates, however may be enforced in cold climates (e.g. via a ground-source heat pump). Buildings with a high specific extent exhibit higher load shaping prices throughout summer since pre-cooling is a smaller amount economically engaging (i.e. a big quantity of energy leaks intent on the environment) and is a smaller amount effective (i.e. even once pre-cooled, the building heats up faster). Similar high prices don't seem to be ascertained throughout the autumn and winter seasons since cooling masses are a lot of lower. These challenges are often self-addressed at the project starting stage if the building and microgrid are co-designed by rationally choosing the building layout, or by choosing building materials that change higher insulation. The system may even be increased with cold thermal storage units (e.g. at the project coming up with state or later via a retrofit) to any enhance the shifting of cooling masses. The utilization of thermal storage units may equally improve the economic performance of buildings that are invariably occupied (i.e. the hospital) by allowing higher shifting of thermal masses. Such approaches weren't self-addressed during this add order to take care of simplicity within the formulation and equivalence among the systems thought of. Altogether cases, similar closed-loop behavior is ascertained across totally different building sorts and in numerous seasons. Significantly, this means that these microgrid systems can behave predictably from the utility company perspective. Additionally, rational behavior emerges throughout the closed-loop operation, like pre-cooling the building in response to low electricity costs or cold close temperatures.

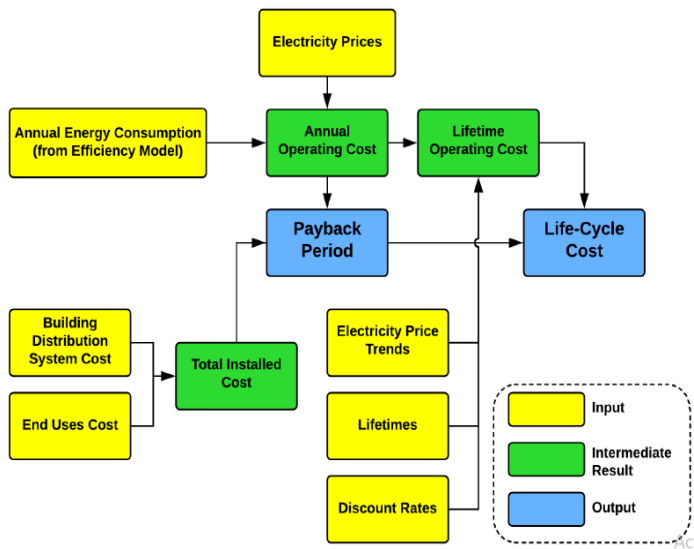


Fig-7: LCC and PBP flow diagram [10]

Improvements in building end-use potency have considerably reduced the energy intensity of recent buildings, however decreasing returns build it a challenge to create very-low energy buildings cost-effectively. A for the most part untapped potency strategy is to enhance the potency of power distribution among buildings. Electricity (DC) distribution with trendy power natural philosophy has the potential to eliminate abundant of the ability conversion loss in electrical energy (AC) building distribution networks that embrace photovoltaics and DC finish uses. Previous literature suggests up to fifteen energy savings from DC power distribution in terribly energy economical buildings with onsite generation and battery storage. Author was [10] extends previous energy modeling of DC versus AC distribution in buildings, to contemplate the value of implementing DC systems on a life-cycle basis. A techno-economic analysis framework supported commercially obtainable product that evaluates the cost-effectiveness of DC systems is bestowed. The analysis is conducted for 3 industrial building sorts in 2 Golden State climate zones and for numerous PV and battery storage capacities. Town simulation is employed to reckon the payback amount and lifecycle value savings of DC versus AC distribution systems. This analysis shows that DC systems are often value effective altogether situations that embrace giant capacities of battery storage and onsite star, whereas for systems while not storage, DC distribution is usually not cost-efficient.

Author presents [10] bestowed a techno-economic analysis of DC distribution in extremely economical business buildings with DC masses. TEA results were generated for 3 business building varieties in 2 Calif. cities with many PV and battery capacities, for current and future market conditions. This work was supported (1) a technical analysis of the building distribution systems and end-use topologies, (2) a close potency model that comes with real device potency curves. Results show that DC distribution systems area unit cost-efficient in most situations that embrace giant capacities of PV and battery storage; whereas, in those

situations that don't, DC systems area unit usually not cost-efficient. The sensitivity analyses reveal that coincidence of load and PV generation will increase potency savings and economic advantages. Maybe one in every of the foremost vital factors touching energy and price savings is that the DC system configuration. Easier systems, with less power conversion steps have fewer elements and incur lower power losses. For example, the eating house, that is assumed to not have a secondary 48 V DC bus yields the foremost fascinating put in value magnitude relation (of DC versus AC system cost) compared to the opposite buildings.

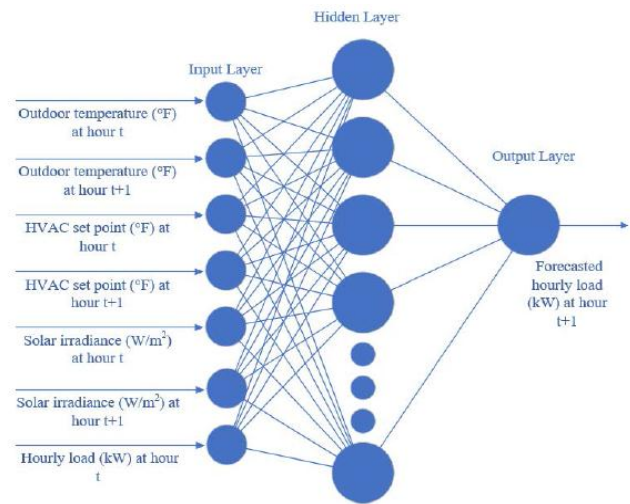


Fig-8: ANN structure for building load forecasting [11]

One of author was presented [11] Artificial Neural Network (ANN)-based building-level hourly electrical load prognostication methodology that takes into consideration HVAC set points jointly of the input parameters, additionally to the historical building load and outside weather knowledge. The information given during this work contend with cooling load solely. ANN is employed to coach and take a look at the dataset, and also the ANN-based load prognostication model provide the expected load for every hour of the day. Three types of training algorithms are explored, as well as Levenberg-Marquardt, Scaled Conjugate gradient back-propagation and Bayesian Regularization (BR). Findings indicate that the BR-based neural network offers the most effective performance in terms of prognostication accuracy. Additionally, a case study employing a business building in Chicago, Illinois is given wherever performances of the developed ANN-based models are compared. The prognostication error is around five-hitter or less for hour-ahead load prognostication, and around 8 May 1945 or less for 12-hour ahead load prognostication.

Models are trained using BR [11] and also the average hourly foretelling errors measured by MAPE square measure around five-hitter or below for single-step foretelling, wherever ensuing hour's forecast uses the previous hour's forecasted price, and around 8 May 1945 or below for algorithmic foretelling, wherever longer lead times square measure used. Foretelling models with adjustable set points



square measure terribly helpful in estimating next-day hourly building masses. By use of the models bestowed here, one will perform day-ahead load forecasts to estimate the impact of skyrocketing HVAC set points on hourly building load. Hence, a building owner and a requirement response soul will acquire calculable peak demand savings once the cooling set points square measure raised. Grid operators will combination these numbers for his or her next-day generation provide plans. Additionally, the bestowed models might even be helpful for load foretelling in an exceedingly block chain peer-to-peer commercialism network that transacts excess star PV output and/or peak demand reduction capabilities.

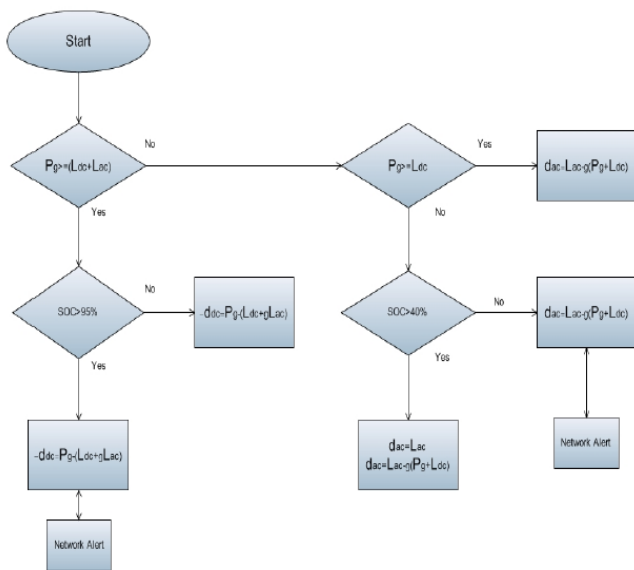


Fig-9: Control Algorithm for User Control [12]

PV solar power is changing into more and more thesaurus in electricity generation for residential and industrial buildings. Since PV solar system directly provides DC power, a DC microgrid is a perfect platform for PV energy resource in building applications. Existing DC power converters generally have low power conversion potency at light-weight and significant load conditions. Abundant analysis has been done on potency improvement of DC converters, however material, technology, and producing processes all impose limitations on potency gain. Author was [12] addressed the potency improvement of a DC microgrid with an influence array conversion (PAC) for an ad building application. The commission configuration utilizes associate degree array with 3 equal and parallel convertors rather than one larger converter to hide a good vary of load conditions. As power conversion may be a massive a part of power loss in DC microgrids, particularly for change of magnitude conversion, the planned commission is developed to enhance the conversion potency. Analysis results show that the planned DC microgrid will improve the conversion potency up to sixteen.5% over the prevailing centralized single convertor configuration. The planned DC microgrid with commission additionally generates 16.95% a lot of power than the centralized single convertor technique. A review of the convertor hardware prices indicates that the commission

approach offers savings on the initial purchase of a convertor.

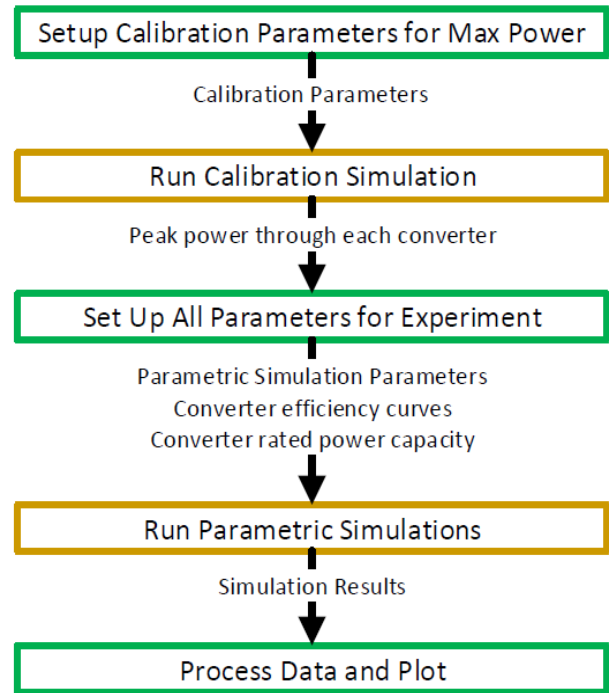


Fig-10: Simulation flow block diagram. Python processes are boxed in green, and Modelica processes are in yellow [13]

Direct current (DC) power distribution has recently gained traction in buildings analysis because of the proliferation of on-the-spot electricity generation and battery storage, and an increasing prevalence of internal DC masses. The analysis mentioned during this paper uses Modelica-based simulation [13] to check the potency of DC building power distribution with the same electrical energy (AC) distribution. The buildings all sculptured with solar PV generation, battery storage, and electric loads that square measure representative of the foremost economical building technology. A range of constant quantity simulations confirm however and once DC distribution proves advantageous. These simulations additionally validate previous studies that use easier approaches and arithmetic potency models. This work shows that victimization DC distribution are often significantly a lot of efficient: a medium sized office block victimization DC distribution has AN expected baseline of 12-tone system savings, however may additionally lay aside to eighteen. In these results, the baseline simulation parameters square measure for a zero web energy (ZNE) building that may island as a microgrid. DC is most advantageous in buildings with massive solar pv capability, massive battery capability, and high voltage distribution.

### 3. CONCLUSION

This paper is reviewing the different types of approach for design of load distribution system for commercial or industrial building load management. This paper will be very much useful in future for students and researchers those

work in the field of load management or load dispatched of distribution areas.

In this paper different methods are introduced like Artificial Neural Network approach, VOLTTRON as the multi-agent system platform, MIP-based energy planning algorithmic, PV array based system etc. It is clear that accurate load management or distribution of system or building is very much important for increase the life of electric wiring and risk of overloading during peak time.

## REFERENCES

- [1] Lu, Ning, et al. "The temperature sensitivity of the residential load and commercial building load." 2009 IEEE Power & Energy Society General Meeting. IEEE, 2009.
- [2] Frank, Stephen M., and Pankaj K. Sen. "Estimation of electricity consumption in commercial buildings." 2011 North American Power Symposium. IEEE, 2011.
- [3] Hong, Mingguo, et al. "An energy scheduling algorithm supporting power quality management in commercial building microgrids." IEEE Transactions on Smart Grid 7.2 (2014): 1044-1056.
- [4] Alshareef, Sami M., and Walid G. Morsi. "Probabilistic commercial load profiles at different climate zones." 2017 IEEE Electrical Power and Energy Conference (EPEC). IEEE, 2017.
- [5] Fernandez, Nick, et al. "Energy savings potential from improved building controls for the US commercial building sector." Energy Efficiency 11.2 (2018): 393-413.
- [6] Sayed, Khairy, and Hossam A. Gabbar. "Supervisory control of a resilient DC microgrid for commercial buildings." International Journal of Process Systems Engineering 4.2-3 (2017): 99-118.
- [7] Mutule, A., et al. "Feasibility Study for Demand Response in Commercial Buildings." Proceedings of the 9th International Scientific Symposium on Electrical Power Engineering, Slovakia, StaráLesná. 2017.
- [8] Wang, Jiaying, et al. "Optimal Operation of Commercial Buildings with Generalized Demand Response Management." 2018 IEEE Innovative Smart Grid Technologies-Asia (ISGT Asia). IEEE, 2018.
- [9] Zachar, Michael, and Prodromos Daoutidis. "Energy management and load shaping for commercial microgrids coupled with flexible building environment control." Journal of Energy Storage 16 (2018): 61-75.
- [10] Vossos, Vagelis, et al. "Techno-economic analysis of DC power distribution in commercial buildings." Applied energy 230 (2018): 663-678.
- [11] Jing, Zejia, et al. "Commercial Building Load Forecasts with Artificial Neural Network." 2019 IEEE Power & Energy Society Innovative Smart Grid Technologies Conference (ISGT). IEEE, 2019.
- [12] Wu, Zhiqing. An Efficient Low Voltage DC Microgrid with Power Array Conversion for Commercial Buildings. Diss. 2019.
- [13] Gerber, Daniel L., et al. "A simulation-based efficiency comparison of AC and DC power distribution networks in commercial buildings." Applied Energy 210 (2018): 1167-1187