

Conceptual Analysis & Interpretation of Differentially Stress on Spur Gear for Oil Expeller

Harsh Verma¹, Ritesh Banpurkar²

¹PG Student, Department of Mechanical Engineering, Abha Gaikwad Patil College of Engineering, Nagpur

²Professor, Department of Mechanical Engineering, Abha Gaikwad Patil College of Engineering, Nagpur

Abstract - A spur gear pair active account for the apparatus dynamic contact stacking, dynamic touch pressure realm, and dynamic contact strain state assessment is provided. A unique model of the apparatuses set with degrees of opportunity is utilized. The transmission is broke down, utilizing the nonlinear limited component strategy. An epic technique for deciphering the outcomes of the strain and weight nation, the utilization of strain and weight tensor invariants is created. For a more contemporary approach, the software program for the finite element analysis of the tools set as a whole is evolved using the open-source limited factors framework.

Key Words: stress & strain state, dynamic load, stress and strain state analysis, spur gears, deformation.

1. INTRODUCTION

Gears are an essential component in a power transmission system. In recent years, advances in engineering generation have introduced demands for equipment teeth, which can operate at ever-growing load capacities and speeds. The apparatuses as a rule bomb when lacquer pressure surpasses as far as possible. Along these lines, it's now necessary to investigate exchange gear texture. The pivotal contemplations simultaneously as settling on an apparatuses material are the instruments' capability to oppose extreme frictional temperature and considerably less scraped area put on [3]. Weight, manufacturability, and cost are additionally fundamental components the ones need to be thought about over the span of the format stage. [12] Moreover, the apparatus needs to have enough warm carport ability to forestall contortion or to break from warm weight till the glow can be dispersed [20]. It needs to have appropriately against blur qualities, i.E. Their adequacy should no longer lower with the predictable delayed application and must have hostile to wear homes [4] properly. The up and coming prerequisite of power sparing and the effectiveness of mechanical parts during the past barely any years quickened the utilization of composite substances. Also, the utilization of composite components has furthermore duplicated on account of their homes along with weight decrease assets with enough quality, high remarkable solidness, consumption misfortune, the possibility to give entangled shapes, inordinate one of a kind influence, high impact vitality assimilation, and a lot of more[19]. Item improvement has changed from the

customary sequential way of design, went with through model giving it a shot and creation, be that as it may, to additional on pc helps. CAE (Computer-Aided Engineering) has significantly empowered the chain of techniques between the primer format and the absolute last consideration of an item. CAE programming encourages item planning, 3-D perception, examination, recreation, and affected a great deal on schedule and worth sparing to the enterprise[21], [22]. A Gear compartment is one of the basic mechanical segments of transmission contraption utilized as machines. Differential Gear field expands the strong load of vehicles, which is a flip on the double effects the presentation and execution of the vehicle. So there's a prerequisite to make gentle and successful apparatuses [15]. Along these lines, inside the blessing work composite substances are utilized to make lightweight apparatuses to complete such commitment solidly.

2. GEAR DESIGN

Calculate bending stress for pair identical spur gear with following data.

2.1 Calculations

$$\text{Power (P)} = 5\text{kW} = 5000 \text{ W}$$

$$\text{Speed (N)} = 1500 \text{ rpm}$$

$$T = \frac{60 \times 10^3 \times P}{2 \times \pi \times N}$$

$$T = \frac{60 \times 10^3 \times 5}{2 \times \pi \times 1500}$$

$$T = 31830.98 \text{ N.mmm}$$

Tangential force is given by

$$P_t = \frac{2 \times T}{m \times z}$$

$$P_t = \frac{2 \times 31830.98}{4 \times 15}$$

$$P_t = 1061.03 \text{ N}$$

Where,

P_t =Tangential Force

Using Lewis Bending stress equation

2.2 GEAR DIMENSIONS

Table -1: Parameter Dimensions

Type of Gear	20° Spur
Power	5 kW
Speed	1500 rpm
module	4 mm
Number of teeth	15, 16

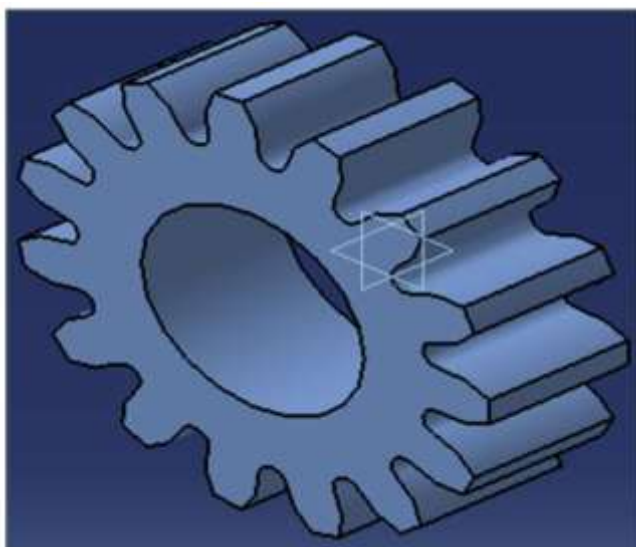


Fig -1: CAD Model of Gear

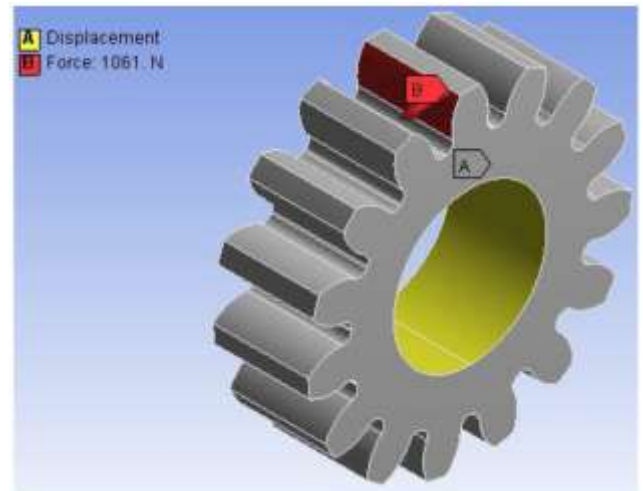


Fig -2: Boundary Conditions

A differential is a device, as often as possible however now not continually utilizing gears, equipped for transmitting torque and turn through 3 shafts, quite often utilized in unquestionably one of techniques: independently, it gets one information and presents yields; this is found in many engines, and in the other way, it joins information to make a yield; this is the aggregate, differentiation, or standard, of the data sources. In engines and other wheeled engines, the differential permits everything about utilizing street wheels to turn at explicit paces, while for most autos giving same torque to all of them. A vehicle's wheels pivot at uncommon rates, mostly when turning corners. The differential is intended to pressure a couple of wheels with a similar torque even to switch at unique rates. In cars without a differential, for example, karts, both riding wheels are constrained to turn on an indistinguishable pace, for the most part on a not uncommon hub pushed secure chain-drive component. While cornering, the inside wheel wants to travel a shorter separation than the external wheel, so without a differential, the outcome is the internal wheel turning and the external wheel hauling. This influences hard and flighty dealing with, damage to tires and streets, and weight on (or practical disappointment of) the total weight instruct. The Differential Box transmits mechanical quality from a top mover to a yield instrument. It likewise alterations the speed, course, or torque of mechanical power. The differential gearbox is used while high speed, large electricity transmission in which noise reduction is essential. Some barriers in current Differential tools containers are as follows: It has terrible weight to electricity ratio so high power loss. · Metallic parts lead to corrosion, so they need to adequately shielded.

- More wears in between the gears so required proper lubrication.
- Due to the heaviness of the Differential gearbox, it needs to be firmly mounted.
- Due to reduced weight to strength ratio, power losses in gear trains are higher.

Its toxic substance" s proportion, mass thickness, and shear modulus are in like manner low. In this manner Differential

apparatus field should be upgraded, providing power sparing through weight reduction, offering internal damping, diminishing oil necessities, and highlight high ductile power, flexible modulus, poison" s proportion, mass thickness, and shear modulus without developing expense. Such an extension is outfitted by utilizing the use of composite texture providing huge weight decrease in conformance with insurance necessities and furthermore giving answers for various current issues in contemporary riggings to be had.

3. SOLID MODELLING

Solid modeling consists of a set of principles for mathematical and computer modeling of the robust three-dimensional model. It refers to theories and computations that define & manipulates descriptions of physical appearance, properties, associated concepts, and that support a variety of processes. Solid modeling of bevel and spur gears is done using a parametric way to dealwith problem. Bevel gears for varying geometric shapes can be generated by changing the variables (number of teeth, pressure angle, helix angle, tooth thickness, module). Required parameters that are used as a variable for generating bevel gear.

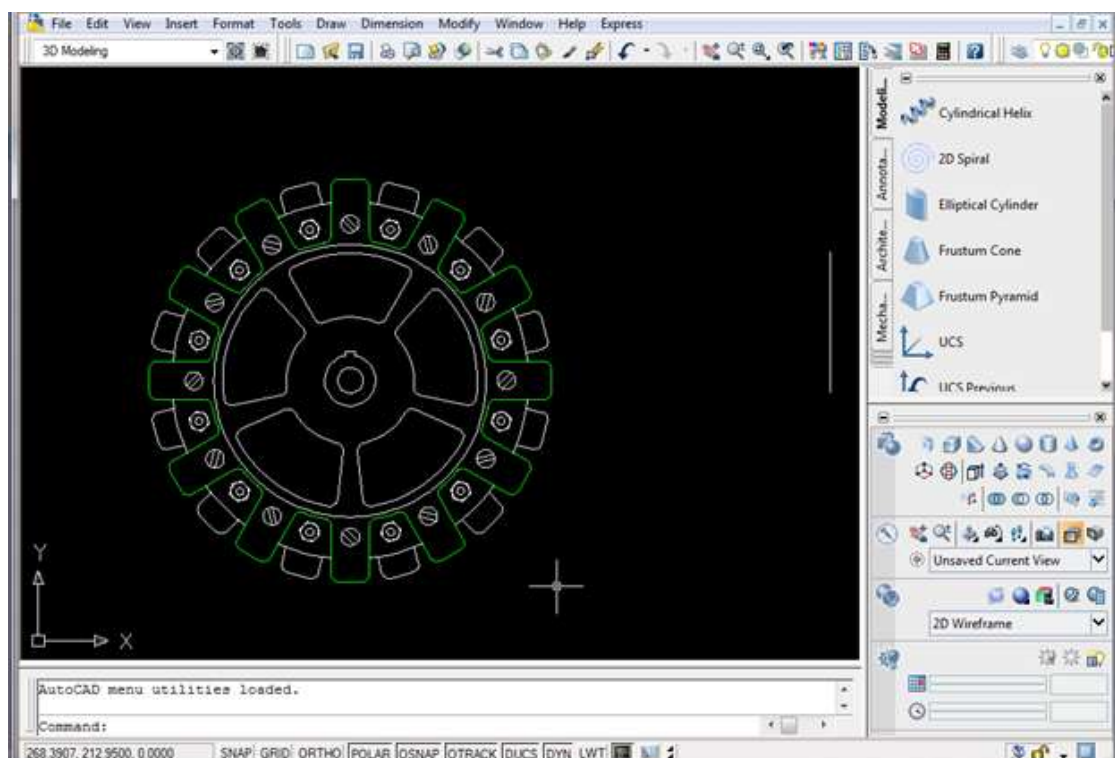
4. OBJECTIVES

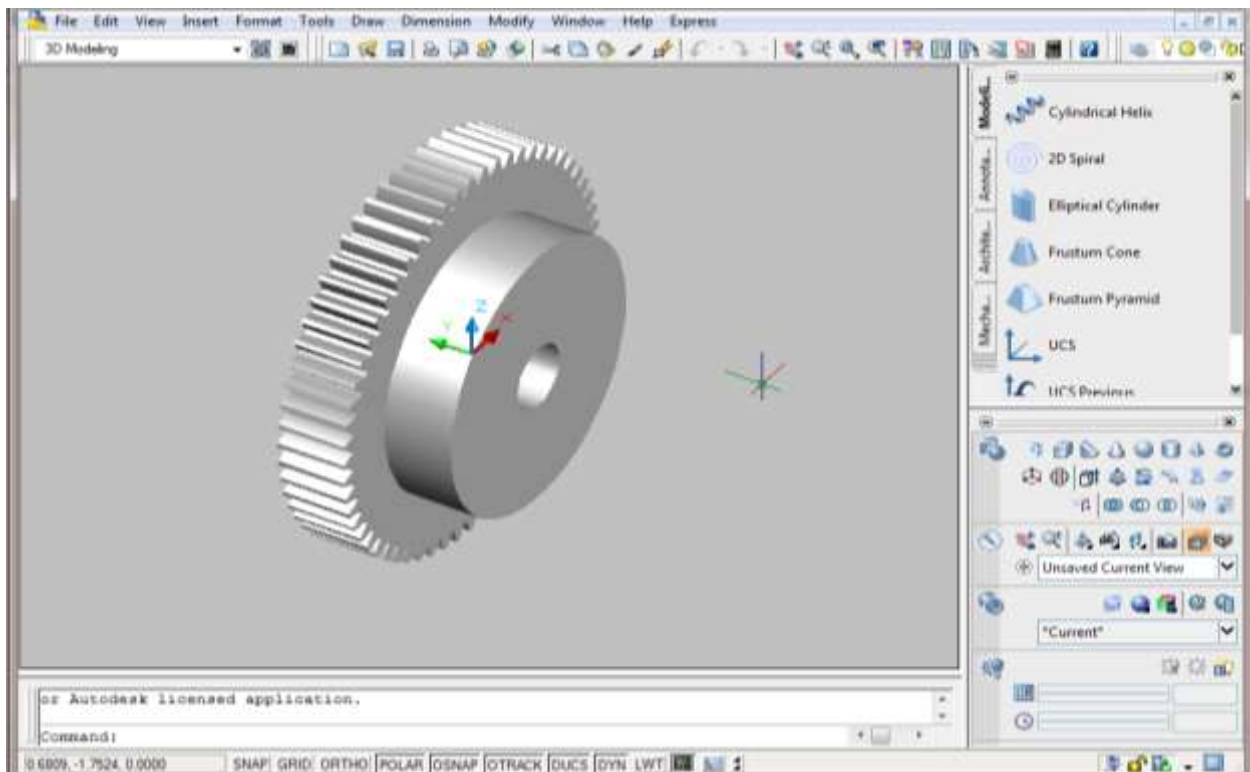
The aim of the modeling of gears in the past with the aid of other researchers have numerous from vibration analysis and noise manipulation, to transmission error over the last fifty years. The future of equipment modeling can be summarized as follows:

1. Stress analysis, which includes the forecasting of contact strain & bending pressure.
2. Prediction of transmitting efficiency.
3. Calculating the natural vibration frequencies of the objects well before creating the gear.
4. Performing vibration analysis of system.
5. Evaluating current state monitoring, fault detection, prognosis, diagnosis, reliability and fatigue survival.

5. Basic Steps in Designing

1. Discretization of the territory The continuum is separated into a no. Of limited factors by fanciful lines or surfaces. The interconnected components may also have unmistakable shapes and sizes. The achievement of this romanticizing lies in how eagerly this discretized continuum speaks to the genuine continuum. The inclination of the normal components or higher-request components, legitimately or bended, its shape, refinement is to be chosen sooner than the scientific framework begins.





2. Recognizable proof of factors The components are thought to be associated at their meeting factors, alluded to as nodal focuses. At every hub, obscure relocations are to be recommended. They are reliant on the problem helpful. The issue can be analyzed in one of these ways that notwithstanding the development which happens on the hubs depending on the physical idea of the issue, positive different amounts including weight may also need to be sure as nodal questions for the detail, which at the same time, probably won't have a relating real sum inside the summed up powers. The cost of those amounts can, be that as it may, be procured from variant norms.

3. Decision of approximating capacities. After the factors and nearby facilitates have been picked, the accompanying advance is the decision of dislodging capacity, that is the spot to start of scientific assessment. The reason speaks to the variation of the uprooting inside the detail. The trademark might be approximated from various perspectives. A helpful way of communicating it's far by means of polynomial articulations. The state of the component or the geometry can likewise estimated. The directions of niche hubs effectively characterize the component structure if the component is made of straight follows or planes. The weightage to get to the geometry and relocations moreover wants to be resolved for a particular issue.

4. Arrangement of detail firmness grid After the continuum is discretized with favored detail shapes, and the component solidness framework is figured. It's far a minimization methodology. The detail solidness network for most of components isn't generally accessible in a particular shape.

They require numerical coordination for this assessment. The worldwide casing characterizes the geometry of the detail.

5. Development of the general solidness network After the component firmness framework in worldwide directions is molded, and they are collected to shape the worldwide firmness grid. This is done through the hubs which are not unordinary to append components. At the hubs, the congruity of the dislodging abilities and their subsidiaries are set up. The major solidness lattice is symmetric and joined.

6. Consolidation of limit circumstances The limit limitation conditions are to be forced in the solidness lattice. There are differing procedures to be needed to fulfill limit circumstances.

7. Arrangement of the detail stacking grid. The stacking interior a component is moved at the nodal focuses, and a steady detail stacking grid is formed.

8. Arrangement of the general stacking grid The detail stacking network is blended to shape the worldwide stacking framework. This framework has one section for every stacking case, and it's far both a segment vector or a square grid depending upon the no, of stacking circumstances.

9. The arrangement of synchronous conditions All the conditions required for the goals of the difficulty is presently evolved. In the uprooting strategy, the questions are the nodal dislodging. Gauss end and Choleky's factorization are the most ordinarily utilized procedures.

10. Count of stresses or weight resultants. The nodal relocation esteems are applied for the estimation of stresses. This might be accomplished for all components of the continuum or can be restricted best to some foreordained variables

6. CONCLUSIONS

Gears are extensively used for electricity and movement transmission in various structures. Levers are labeled as a spike, helical, angle, worm, etc. The spike gears are anything but difficult to create and are utilized on equal shafts. Spike gears are planned basically dependent on shaft force and put on vitality measures. In examination, spur tools are designed primarily based on beam energy standards analytically. Based on the calculations, the equipment has been modeled, and its evaluation is carried out with given boundary situations. The evaluation outcomes of bending stress areas compared with MATLAB code for similar validation.

REFERENCES

- [1] Putti Srinivasa Rao, Nadipalli Sriraj, and Mohammad Farookh, "Contact Stress Analysis of Spur Gear for Different Materials using ANSYS and Hertz Equation," International Journal of Modern Studies in Mechanical Engineering, vol.1, Issue 1, pp. 45-52, June. 2015.
- [2] Sushil Kumar Tiwari, Upendra Kumar Joshi, "Stress Analysis of Mating Involute Spur Gear Teeth," International Journal of Engineering Research & Technology, vol.1, Issue 9, pp. 1-12, Nov. 2013.
- [3] D.V. Subbarao, Y. Dilip Kumar and T. Tirupati, "Computational Analysis of Contact Stresses In Involute Spur Gears Using ANSYS," International Journal of Scientific Research And Education, vol.2, Issue 10, pp. 2049-2454, Oct. 2014.
- [4] Sarfraz Ali N. Quadri, Dhananjay R. Dolas, "Contact Stress Analysis of Involute Spur gear under Static loading," International Journal of Scientific Research Engineering & Technology, vol.4, Issue 5, pp. 593-596, May. 2015.
- [5] Mohammad Jebran Khan, Arunish Mangla, Sajad Hussain Din, "Contact Stress Analysis of Stainless Steel Spur Gears using Finite Element Analysis and Comparison with Theoretical Results using Hertz Theory," International Journal of Engineering Research & Applications, vol.5, Issue 4, pp. 10-18, April. 2015.
- [6] Vishwjeet V. Ambade, Dr. A.V. Vanalkar and P.R. Gajbhiye, "Involute Gear Tooth Contact And Bending Stress Analysis" International Journal of Computational Engineering Research, vol.3, Issue 8, pp. 30-36, Aug. 2013.
- [7] Pravin B. Sonawane and P.G. Damle, "Static Structural analysis of gear tooth" International Journal of Engineering and Techniques, vol.2, Issue 3, pp. 30-36, June. 2016.
- [8] Pradeep Kumar Singh, Manwendra Gautam, Gangasagar and Shyam Bihari Lal, "Structural Analysis of Spur Gear using Ansys Workbench 14.5" International Journal of Mechanical Engineering and Technology, vol.7, Issue 6, pp. 132-141, Dec. 2016.
- [9] Sushovan Ghosh, Rohit Ghosh, Bhuwaneshwar Patel, Tanuj Srivastava and Dr. Rabindra Nath Barman, "Involute Gear Tooth Contact And Bending Stress Analysis" International Journal of Computational Engineering Research, vol.3, Issue 8, pp. 30-36, Aug. 2013.
- [10] T Vadivelu, "Experimental Stress Analysis of Spur Gear using Ansys Software" International Journal of Management and Humanities, vol.3, Issue 1, pp. 8-12, 2013.
- [11] G Mallesh, Avinash P., Melvin Kumar R., Sacchin G. and Zayeem Khan, "Finite Element Modelling and Bending Stress Analysis of Non Standard Spur Gear" International Journal of Research in Engineering and Technology, vol.4, Issue 7, pp. 231-237, Aug. 2013.
- [12] Vivek Karaveer, Ashish Mogrekar and T. Preman Reynold Joseph, "Modeling and Finite Element Analysis of Spur Gear" International Journal of Current Engineering and Technology, vol.3, Issue 5, pp. 2104-2107, Dec. 2013.
- [13] Ram Krishna Rathore and Abhishek Tiwari, "Bending Stress Analysis & Optimization of Spur Gear" International Journal of Engineering Research and Technology, vol.3, Issue 5, pp. 2044-2049, May. 2014.