

A SURVEY: A MOBILE GREENHOUSE ENVIRONMENT MONITORING SYSTEM BASED ON THE INTERNET OF THINGS

Shweta Dhuraji More¹, Mrs. Shilpa Nandedkar²

¹PG Student, ²Assistant Professor, Department of Electronics and Telecommunication Engineering, Maharashtra Institute of Technology, Aurangabad

Abstract— In this paper, the wireless robot refers to the mini robot which live aqueducts the monochromic videotape, takes and stores the images. The robot is being controlled through a original Wi-Fi garcon by a compatible web runner. In this papertwo Android phones are used for the purpose of videotape streaming and audio transfer. In this proposed system wireless connectivity is incorporated by Node MCU module. This paper also proposes the robotization using internet of things in green house terrain and employing the detectors for the seeing the temperature and moisture, to enhance the product rate and minimize the discomfort caused to the growers.

Keywords: Environmental monitoring, greenhouse, Internet of Things, mobile system, WSN.

1. INTRODUCTION

The most important factors for the quality and productivity of plant growth are temperature, moisture, and light. Nonstop Monitoring of these environmental variables provides precious information to the farmer to more understand, how each factor affects growth and how to maximize crop productiveness [1]. The optimal hothouse semipro climate adaptation can enable us to ameliorate productivity and to achieve remarkable energy savings especially during the downtime in northern countries. WSN composed of hundreds of bumps that have the capability of seeing, Actuation and communication have great advantages in terms of high delicacy, fault forbearance, inflexibility, cost, autonomy, and robustness

compared to wired bones. Also, with the onset of IoT and M2M dispatches, it's poised to come a veritably significant enabling technology in numerous sectors, like service, terrain, health, home, and other marketable areas [2]. IoT is a general term, covering a number of technologies that allow bias to communicate with each other, with or without mortal intervention.

An illustration operation, presented in this paper, is the mobile- grounded hothouse operation, which in a timely manner provides a possibility for screen monitoring of detailed data about the conditions of the hothouse [3]. Likewise, the suggested setup can be incorporated with other internetcommunication for growers.

2. LITERATURE REVIEW

The mobile hothouse terrain covering system proposed in this study is grounded on IoT armature. Following the development of IoT technology, its armature is getting decreasingly formalized. Compared with other environmental monitoring systems grounded on IoT infrastructures, the system proposed in this study is characterized by its mobility, and the stir of the outfit itself in the hothouse needs to be wellcontrolled [1]. The main function of the perceptual sub caste is to gain the temperature, moisture, illumination, carbon dioxide attention of the crop. By realizing control of the lower computer, the control sub caste is responsible for the automatic shadowing in the hothouse. It also directly determines the position of each data accession point [2]. It also controls the data accession mode and format, and

converts and encapsulates some data at the perceptual sub caste. The transmission sub caste completes the dependable transmission of data between the perceptual sub caste and the garcon, and develops applicable protocols to ameliorate data quality. The main function of the operation sub caste is to apply all stoner-acquainted operations similar as data processing, data storehouse, data operation, vaticinators and early warning, service decision making etc. [3].

The current hothouse data accession system is enforced in the way that data accession terminal uploads data to the host computer to manage the data or transfer them to pall garcon. The network structure is fairly complex and the power consumption is large. In order to break the below problems, a hothouse terrain monitoring and temperature vaticination system was developed by using the Internet of Effects, pall services and We Chat platform. In this system, the data collection terminal directly connected the Internet to the pall garcon through Wi-Fi/ GPRS to interact with the data, and the mobile terminal penetrated the pall garcon to gain the data service through the We Chat public number [4].

The temperature soothsaying model espoused the discrimination time series model to break the influence of seasonal periodicity in the temperature vaticination process. The data analysis showed that the system effectively realized the feather light and mobility of the data accession outstation. The relative error of temperature monitoring was lower than 4.96, and the relative error of temperature vaticination was lower than 3 [5].

The methodology proposed in the paper applies artificial intelligence (AI) ways to the modeling and control of some climate variables within a hothouse. The nonlinear physical sensations governing the dynamics of temperature and humidity in analogous systems are, in fact, delicate to model and control using traditional ways.

The paper proposes a frame for the development of soft computing- predicated controllers in modern greenhouses [6].

In recent times, a wireless sensor network (WSN) fashion was considerably applied in the field of husbandry, which detects, senses, and collects information of various surroundings or objects in the network area, and at the same time sends and receives data through wireless and tone- organizing multi-hop routing links. Due to the complexity of the agricultural terrain and various factors like walls, downfall condition, structure, para phernalia, and the layout of installation husbandry that all affect the WSN communication quality, wireless sensor networks adapt dissimilarly to agricultural terrain. Thus, how to achieve the swish networking to different agricultural terrain conditions, minimize the cost and energy consumption, and meliorate the performance of the network transmission turn out to be the pivotal issue in the studying of agricultural wireless sensor networks [7].

The work is executed for remote monitoring and control of hothouse parameters with the help of sensors and GSM communication. It overcomes the disadvantages of wired and wireless constraints analogous as complicated wiring, delicate conservation and distance, to cover and control the operations. The operation will have bedded system which consists of ARM7 microcontroller, real time operating system, sensors, GSM modem, and control bias to cover the environmental parameters condition videlicet temperature, humidity, CO₂ attention and light intensity in a hothouse [8].

By this, environmental parameters in hothouse can be covered and controlled manually as well as ever. The attack and software modules of the operation system are mooted in detail. This bedded operation is executed and tested for its correct functionality. The experimental results show that the developed monitoring system has the following features, analogous as simple structure, high

responsibility, good extensibility and flexible configuration [9].

Following table shows comparison of control system used, different parameters measured from reference paper studied.

Table No.1: Comparison of Literature Studied.

Ref No	Control System	CO2 (PPM)	Temperature (Celsius)	Humidity (%)
10	IOT, Intelligent gateway webservice	111	29	32
11	IOT, WAN	550	26	55
12	WSN	119	28.81	19
13	WSN, Arduino	114	25.37	27

3. OVERALL DESIGN OF THE SYSTEM

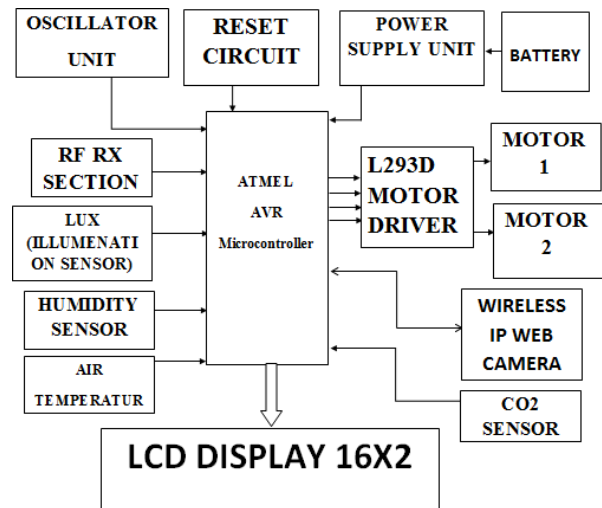
The Greenhouse monitoring system consists of detector bumps, gateways, a data garcon, and stoner guests. The small size detector bumps were stationed in several different regions to insure the trust ability of data accession, which were responsible for collecting and covering environmental parameters similar as temperature and carbon dioxide attention. Also, the collected data were simply reused and decoded, and transferred to a near gateway by NODE MCU technology. Next, the gateway transferred them to the data garçon through 3G/ 4G/ Wi-Fi/ Ethernet network. After entering the terrain information, the garçon decrypted the data and stored them in a database. Eventually, directors use stoner guests to view terrain statistics at anytime and anywhere. In the near future, the staff will stoutly acclimate operation strategies according to data analysis results produced by big data technology, deep literacy technology, pall computing, or

commodity differently.

Battery: A battery is a source of electric power conforming of one or further electrochemical cells with external connections for power.

Power Supply Unit: A power force is an electrical device that supplies electric power to an electrical cargo. The primary function of a power force is to convert electric current from a source to the correct voltage, current, and frequency to power the cargo.

Oscillator Unit: Microprocessor embedded system digital system. Some microcontrollers have a chip oscillator circuit and bear only a demitasse to be connected externally, while some bear an external oscillator circuit. The oscillator circuit generates the timepiece beats so that all the internal and external operations are accompanied.



Figur.1: Block Diagram of Proposed System

Reset circuit: A power-on reset circuit ensures the system power force stabilizes at the correct situations, the timepieces of the processors settle directly, and that the lading of the internal registers are complete before the device actually starts working or gets powered up.

Atmel 328: ATmega328 is generally used in numerous systems and independent systems where a simple, low-powered, low-cost micro-controller is demanded. Maybe the most common perpetration of this chip is on the popular Arduino development platform, videlicet the Arduino Uno and Arduino Nano models.

Node MCU: is an open-source platform predicated on ESP8266 which can connect objects and let data transfer using the Wi-Fi protocol." In addition, by furnishing some of the most important features of microcontrollers similar as GPIO, PWM, ADC, and etc., it can break numerous of the design's requirements.

LCD Display: The liquid demitasse display screen works on the principle of blocking light rather than emitting light. LCDs bear a backlight as they don't emit light them. We always use bias which is made up of TV displays that are replacing the use of cathode shaft tubes.

Humidity Sensor: A humidity sensor is an electronic device that measures the humidity in its terrain and converts its findings into a corresponding electrical signal. In distinction, absolute humidity is measured without reference to temperature. The two most common RH sensors are capacitive and resistive humidity sensors.

Air Humidity Temperature Sensor: Air Temperature Sensor (OAT) measures the temperature outside of a vehicle's passenger cell. It relays the outside air temperature to the controller of the automatic HVAC system.

Motor Driver: Motor driver act as an interface between the motors and the control circuits. Motor bears a high amount of current whereas the controller circuit works on low current signals. So the function of motor drivers is to take a low-current control signal and also turn it into an advanced-current signal that can drive a motor.

Motors: An electric motor is a device used to convert electrical energy into mechanical energy. Scientifically

speaking, the electric motor is a unit used to convert electric power into motive energy or electrical energy into mechanical energy.

Lux (Illumination sensor): Lux is a measure of how important light falls on a particular face, and can be the result of multiple light bulbs and indeed daylight mixed in.

Co2 Sensor: CO2 sensors generally use Infrared technology for gas seeing. This type of sensor measures carbon dioxide situations by measuring the amount of infrared radiation. The presence of Carbon dioxide can be detected and measured using a carbon dioxide sensor.

4. CONCLUSION

This survey is proposed to support multifactor monitoring for the husbandry land. Intelligent hothouse eliminates trouble of hothouse not being maintained at specific environmental conditions due to mortal error and labor cost can be reduced and it's eco-friendly. Green house monitoring system has a huge demand and future compass too in India and outside the India

REFERENCE

- [1] Y. Ren, X. Chen, J. Jia, W. Gao, and J. Zhu 'Environment monitoring and temperature prediction in greenhouse based on wechat platform,' Nongye Jixie Xuebao., vol.48, no.1, pp. 302-307, Dec. 2017. doi: 10.6041/j.issn.1000-1298.2017.S0.046
- [2] X. Zheng, "Expert control systems for modern greenhouse climate," Jidian Gongcheng., vol. 20, no. 3, pp. 42-45, 2003. doi: 10.3969/j.issn.1001-4551.2003.03.014
- [3] F. G. Montoya, J. Gómez, A. Cama-Pinto, A. Zapata-Sierra, F. Martínez, J. de la Cruz, and F. Manzano-Agugliaro, "A monitoring system for intensive agriculture based on mesh networks and the Android system," Comput. Electron.

- Agricult.,vol.99,pp.1420,Nov.2013.doi:10.1016/j.compag.2013.08.028
- [4] R. Pahuja, H. K. Verma, and M. Uddin, "A wireless sensor network for greenhouse climate control," *IEEE PervasiveComput.*,vol.12,no.2,pp.4958,Apr.2013.doi:10.1109/MPRV.2013.26
- [5] W. S. Lee, V. Alchanatis, C. Yang, M. Hirafuji, D. Moshou, and C. Li, "Sensing technologies for precision specialty crop production," *Comput. Electron. Agricult.*, vol. 74,no.1,pp.2-33,Oct.2010.doi: 10.1016/j.compag.2010.08.005
- [6] N. K. D. N, "ARM based remote monitoring and control system for environmental parameters in greenhouse," in *Proc. IEEE ICECCT, Coimbatore, India, Mar. 2015*, pp. 1-6. doi: 10.1109/icecct.2015.7226117
- [7] Y. He, M. Liang, L. Chen, D. Xu, and S. Du, "Greenhouse environment control system based on IOT," *Zhengzhou Daxue Xuebao Lixueban*, vol. 50, no. 1, pp. 90-94, Mar. 2018. doi: 10.13705/j.issn.1671-6841.2017263.
- [8] S. Du, Y. He, M. Liang, L. Chen, J. Li, and D. Xu, "Greenhouse environment network control system," *Nongye Jixie Xuebao*, vol. 48, no. s1, pp. 296-301, Dec. 2017. doi:10.6041/j.issn.1000-1298.2017.S0.045
- [9] X. Chen, P. Guo, and Y. Lan, "Design and experiment based on wireless sensor network with 780 MHz in greenhouse," *Trans.Chin. Soc. Agricult. Eng.*, vol. 30, no. 1, pp. 113-120, Jan. 2014.
doi: 10.3969/j.issn.1002- 6819.2014.01.015.
- [10] Tinu Anand Singh and J. Chandra IOT Based Green House Monitoring System. Department Of Computer Science, Christ University, Bangalore, India 2014.01.015. Corresponding Author:J.Chandra Department Of Computer Science, Christ University, Bangalore, India Email: chandra.
- [11] F. Yelkuvan1, M. Taşbaşı1, Ö. Sönmez A New Greenhouse Monitoring System Based on Internet of Things TechnologyE. Unsal*,11Department of Computer Engineering, Sivas Cumhuriyet University, Sivas, Turkey
- [12] PI Tripura Pidikitia, Kishore Yadlapatib, Fredric SamsonKirubakaran Sakthirajc, Madhavi Gudavallid, K. Reddy Wireless Green House Monitoring System Using Raspberry Received: 11 January 2021; Accepted: 27 February 2021;Published online: 5 April 2021Vol.12 No.2 (2021), 2163 – 2169
- [13] Ayasha yahaya department of computer science Nile University Nigeria Yusuf Aleshinloy greenhouse monitoring and control system with aurdino system conference paper December- DIO- 10.11.9/ICECCO48375.20199043188