

# Investigation of Emergency Intelligence coupled with Anti-Lock Braking System

Anand Jayakumar A<sup>1</sup>, Nithish AS<sup>2</sup>, Karthikeyan P<sup>3</sup>, Mouleesh R<sup>4</sup>

<sup>1</sup>Asst. professor, Dept. of Mechanical Engineering, Sri Ramakrishna Institute of Technology, India

<sup>2,3,4</sup>Student, Dept. of Mechanical Engineering, Sri Ramakrishna Institute of Technology, India

\*\*\*

**Abstract-** The point is to plan and build up a control framework dependent on slowing mechanism of an electronically controlled securely auto wheel slowing mechanism. The strategy for the current complex pneumatic frameworks proficiency increment has been created, including the overview steps, numerical mechanical cycle displaying, upgrading the pneumatic framework design, its activity modes, choice of ideal blower units and extra gear. In view of this model, control procedures like an 'Electronically monitored slowing mechanism' (ABS) and improved mobility through singular wheel slowing down are to be created and assessed. The non-freezing stopping device regulator is otherwise called the CAB (regulator electronically monitored slowing mechanism). The solenoid controlled slowing mechanism is utilized for this venture. At the point when the brake pedal or Bush Button is enacted by the driver, the solenoid Valve (Cut off Valve) actuates/deactivate the pneumatic stopping mechanism at the same time at consistent speed. The slowing down is applied steadily to the vehicle, so the vehicle stops easily with safe.

**Watchwords:** Controlled Safely, Cut of Value

## 1. INTRODUCTION

A recent typical ABS consists of a central electronic unit, four speed sensors (one for every wheel), and two or more hydraulic valves on the brake circuit. The electronic unit constantly monitors the rotation speed of each wheel. When it senses that one or more wheel is rotating slower than the others (a condition which will bring it to lock), moves the valves to decrease the pressure on the braking circuit, effectively reducing the braking force thereon wheel. On high-traction surfaces like bitumen, whether wet or dry, most ABS-equipped cars are ready to attain braking distances better (i.e., shorter) than people who would be possible without the benefit of ABS. A moderately-skilled driver without ABS could be able, through the utilization of cadence-braking, to match the performance of a novice driver with an ABS-equipped vehicle. However, for a big number of drivers, ABS will improve their braking distances during a big variety of conditions. The recommended technique for non-expert drivers in an ABS-equipped car, during a typical full-braking emergency, is to press the pedal as firmly as possible and, where appropriate, to steer around obstructions. In such

situations, ABS will significantly reduce the probabilities of a skid and subsequent loss of control - particularly with heavy vehicles. In gravel and snow, ABS tends to increase braking distances. On these surfaces, locked wheels dig in and stop the vehicle more quickly. ABS prevents this from occurring. Some ABS controllers reduce this problem by slowing the cycling time, thus letting the wheels repeatedly, briefly, to lock and then unlock again.

The primary advantage of ABS on such surfaces is to extend the power of the driving force to take care of control of the car instead of enter a skid - though loss of control remains more likely on soft surfaces like gravel or slippery surfaces like snow or ice. When activated, the ABS causes the pedal to pulse significantly. As most drivers rarely or never brake hard enough to cause brake lockup, and a big number rarely bother to read the car's manual, this might not be discovered until an emergency. When drivers do encounter an emergency that causes them to brake hard and thus encounter this pulsing for the primary time, many are believed to scale back pedal pressure and thus lengthen braking distances, contributing to a better level of accidents than the superior emergency stopping capabilities of ABS would otherwise promise. Some manufacturers have therefore implemented "brake assist" systems that determine the driving force is attempting a crash stop and maintain braking force during this situation. It's worth noting that the heavier a vehicle is, the more it'll enjoy ABS. This is often particularly true of vehicles with less-sophisticated hydraulic braking systems where fine control isn't as easy like the more developed braking systems. Conversely, lighter vehicles, especially sports cars with highly-developed braking systems without ABS can out brake comparable vehicles even with ABS.

## 2. LITERATURE SURVAY

There are considerable advances in modern vehicle braking systems in recent years. For instance, electronically controlled ABS for emergency braking, electronically controlled hydraulically actuated individual brake-by-wire (BBW) systems for saloon cars and electronically controlled pneumatically actuated systems for heavy goods vehicles. The work of recent years shall form the idea of a system design approach to be implemented. The novelty of the proposed research programmed shall dwell the planning and

evaluation of control systems for achieving individual wheel motion control facilitated by BBW. within the case of BBW the pedal is detached from the mechanism and replaced by a 'brake pedal simulator'. The simulator provides an electrical signal for the electronic system .

Preliminary modeling and simulation work considers 1 / 4 car initially followed by a natural progression to the half car and full four-wheel station cases. The model is to be constructed in modular form thus allowing the replacement / interchange of the varied blocks and their associated technologies. Upon completion of the complete vehicle braking model, sensitivity analyses are going to be administered . Once the preliminary simulation model has been thoroughly benchmarked and existing system strategies evaluated, an audit of the technology used is to require place and this may provide a basis for comparison of iterative technologies / techniques.

The final phase of the new modern vehicle shall include:

- Development of improved ABS control systems
- Development and assessment of an electro-hydraulic-BBW (EH-BBW) system
- Individual wheel braking combined with traction control
- Assessing sensor failure and fault tolerant system design
- Preliminary studies into an electrically actuated system
- Re-engineering using simplified models.

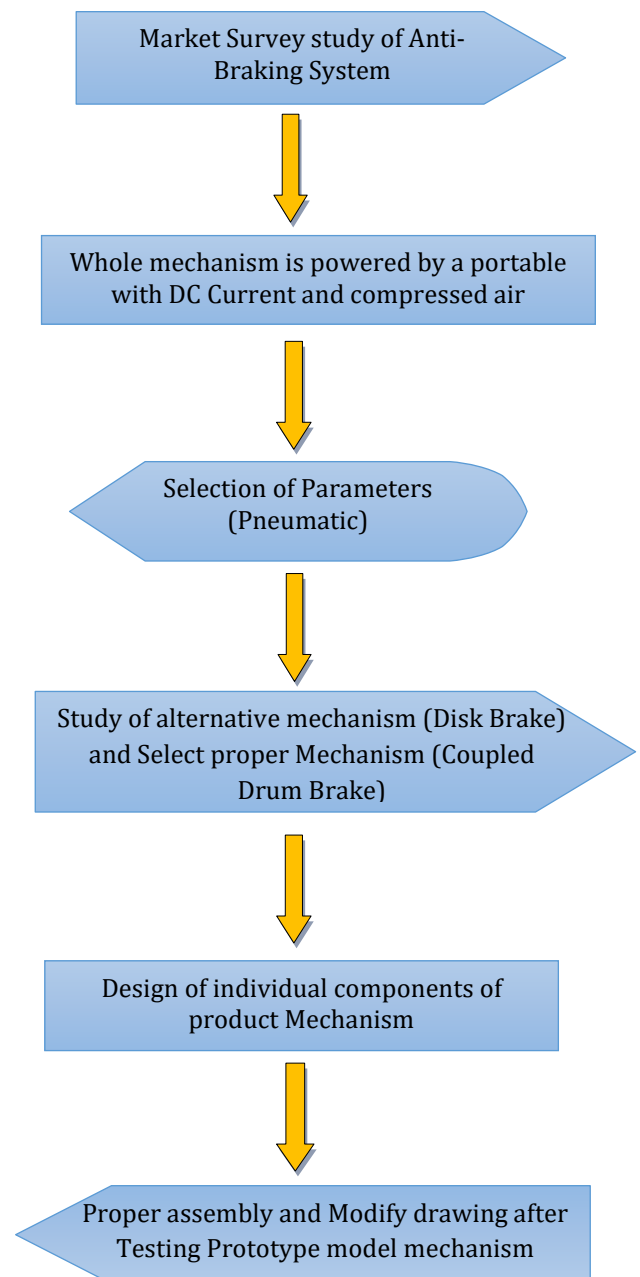
### 2.1 Review (Antilock Braking System)

**Dunlop's Maxaret et al, 1950s:** Anti-lock braking systems were first developed for aircraft. An early his system was introduced and still in use on some aircraft models. This was a totally system.

**Lucas Girling et al 1960s:** It saw limited automobile use within the 1960s within the Ferguson P99 racer , the Jensen FF and therefore the experimental all-wheel drive Ford Zodiac, but saw no further use; the system proved expensive and in automobile use somewhat unreliable. A purely system developed and sold by Lucas Girling was factory-fitted to the Ford Fiesta Mk III. it had been called the Stop system .

**Bosch et al 1930s:** The German firm of Bosch had been developing anti-lock braking technology since the 1930s, but the primary production cars using Bosch's electronic system became available in 1978. They first appeared in trucks and German limousines from Mercedes-Benz. Systems were later introduced on motorcycles.

### 3. METHEDODOLOGY



**Chart -3.1:** Work Methodology

### 3.2 Work Flow

The foot brake or administration brake is constantly applied by a pedal, while the stopping brake is applied by a hand switch. The leaving brake is expected mostly to stand firm on the vehicle in situation. The stopping brake can be

set in the "ON" position by methods for a hook while the assistance brake stays on just as long as the driver pushes down on the pedal.

The hand brake is regularly utilized solely after the driver has halted the vehicle by utilizing the foot brake. Its other use is as a crisis brake to stop the vehicle if the foot braked framework ought to fall flat. The hand or stopping brakes works on a couple of wheels, often the back tires. At the point when drum type back brakes are utilized, similar shoes can be utilized for both hand and foot control.

The drum kind of brake may either be a band brake or a shoe brake. Both band brakes and shoe brakes might be either outside or inward. The band slows down by and large are outside and shoe brakes inner. In drum breaks the drum is appended to the haggle with it. Contact to moderate the drum is applied from inside by the shoes which don't pivot however are mounted on a fixed metal back plate. There are various sorts of drum brakes like a two driving shoe plan – which gives an enlarged reaction to pedal exertion due to its self-applying course of action. A main following shoe is a less expensive and better option as it is similarly viable whether the vehicle is going ahead or in reverse. Producers configuration drum slows down so that downpour, snow or ice or coarseness can't get inside and decline slowing down effectiveness for dampness significantly lessens the erosion between the linings and the drum. The disperse rapidly the significant measure of warmth created while slowing down a quick weighty vehicle huge brake drums would be required. Circle brakes do the work all the more productively, for the cooling air can get to the scouring between every cylinder and the circle, there is a rubbing cushion stood firm on in footing by holding pins, spring plates and so forth Sections are penetrated in the caliper for the liquid to enter or leave each lodging. These sections are likewise associated with another for dying. Every chamber contains an elastic selling ring between the chamber and the cylinder.

The brakes are applied, powerfully impelled cylinder move the grinding cushions into contact with the circle, applying equivalent and inverse powers on the later. On delivering the brakes, the elastic fixing rings go about as return springs and withdraw the cylinders and the grating cushions from the plate.

### 3.3 Mechanical Brake (Drum Brake)

In an engine vehicle, the wheel is joined to an assistant wheel called drum. The brake shoes are made to contact this drum. In many plans, two shoes are utilized with each drum to frame a total brake instrument at each wheel. The brake shoes have brake linings on their external surfaces. Each brake shoe is pivoted toward one side by on anchor pin; the opposite end is worked by certain methods so the brake shoe extends outwards. The brake linings come into contact with the drum. Withdrawing spring keeps the brake shoe into position when the brakes are not applied. The drum

encases the whole component to keep out residue and dampness. The wheel joining bolts on the drum are utilized to contact haggle. The slowing down plate finishes the brake nook, holds the get together to vehicle hub, and acts the base for securing the brake shoes and working component. The shoes are for the most part mounted to rub against within surface of the drum to shape as interior extending brake.

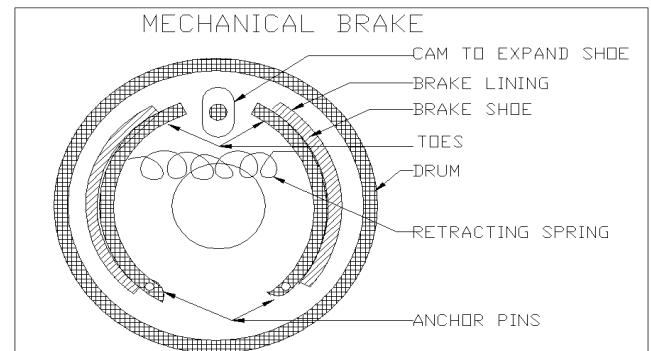


Fig -1: Mechanical Drum Brake

### 3.4 Air Brake

Compressed air brakes are generally utilized in weighty vehicle like transports and trucks which require a heavier slowing down exertion that can be applied by the driver's foot. Air powered brakes are applied by the pressing factor of packed air, rather than foot pressure, acting against adaptable stomachs in brake chamber. The stomachs are associated with the wheel brakes. These stomachs are controlled through a hand or foot worked valve. The brake valve controls brake activity by coordinating the progression of air from a repository against stomachs in the brake chamber when the brakes are applied and from brake chambers to tube air when the brakes are delivered. The air blower, driven by the motor outfits compacted air to the repository fall under a set valve.

### 3.5 Electric Brake

Electric Brakes are likewise utilized in some engine vehicles, albeit these are not exceptionally mainstream. Warner electric brake is one of the instances of such brakes. An electric brake basically comprises of an electromagnet inside the brake drum. The current from the battery is used to stimulate the electromagnet, which incites the instrument to extend the brake shoe against the brake drum, hence applying the brakes. The seriousness of slowing down is constrained by methods for a rheostat, which is worked by the driver through the foot pedal. Electric brakes are less difficult. These brakes don't need muddled working linkage. Just link is needed to take current from the battery to the electromagnet. Additionally, these are exceptionally fast in real life when contrasted with different sorts of brakes.

## 4. SEGMENTS AND HARDWARES

### 4.1 Pneumatic

The word 'pneuma' comes from Greek and means breather wind. The word pneumatics is the investigation of air development and its marvels is gotten from the word pneuma. Today pneumatics is basically perceived to implies the utilization of air as a working medium in industry particularly the driving and controlling of machines and hardware. Pneumatics has for some significant time between utilized for completing the easiest mechanical assignments in later occasions has assumed a more significant part in the advancement of pneumatic innovation for computerization.

Pneumatic frameworks work on an inventory of packed air which should be made accessible in adequate amount and at a strain to suit the limit of the framework. At the point when the pneumatic framework is being embraced interestingly, anyway it will be sure the important to manage the subject of compacted air supply. The critical piece of any office for supply of packed air is by implies utilizing responding blower. A blower is a machine that takes in air, gas at a specific pressing factor and conveyed the air at a high pressing factor. Blower limit is the real amount of air compacted and conveyed and the volume communicated is that of the air at consumption conditions to be specific at environment pressing factor and ordinary encompassing temperature. The compressibility of the air was first examined by Robert Boyle in 1662 and that tracked down that the result of pressing factor and volume of a specific amount of gas.

The typical composed as

$$PV = C \quad (\text{or}) \quad P_1 \times V_1 = P_2 V_2$$

In this condition the pressing factor is the outright compelled which for nothing is about 14.7 Psi and is of mental fortitude fit for keeping a section of mercury, almost 30 inches high in a standard gauge. Any gas can be utilized in pneumatic framework however air is the generally utilized framework now a days.

### 4.2 Selection of Pneumatics

Automation is extensively characterized as the substitution of manual exertion by mechanical force. Pneumatic is an appealing mode for ease automation especially for successive (or) tedious activities. Numerous production lines and plants as of now have a packed air framework, which is equipped for giving the force (or) energy prerequisites and the control framework (albeit similarly pneumatic control frameworks might be monetary and can be beneficially applied to different types of force).

### 4.3 Pneumatic Cylinder

Chamber is a gadget which changes over liquid force into liner mechanical power and movement. These chambers are broadly utilized in mechanical pneumatic frameworks. These chambers are likewise called as straight engines and responding engines pneumatic chambers are intended for an assortment of administrations.

Pneumatic chambers are intended for an assortment of administrations. Pneumatic chambers change the progression of forced liquid into a push or pull of the cylinder bar since out framework utilizes twofold acting chambers, we will see a few insights concerning them. Twofold acting chambers are in one in which liquid power can be applied to the versatile component in two catalogs. The power applied by the compacted air moves the cylinder in two registries in a twofold acting chamber. They are utilized especially. The cylinder is needed to perform work on the development as well as on the return.

On a basic level, the stroke length is limitless, despite the fact that kicking and twisting should be considered before we select a specific size of cylinder breadth, bar length and stroke length. The principle segment of any pneumatic framework is the chamber, which collectors air under tension and the compressed air assists with moving the cylinder forward and backward. The power following up on the cylinder will be equivalent to the result of the pressing factor of air and the region of the chamber.

The measure of air conveyed into the chamber into the chamber chooses the pace of managing job. A chamber is an empty round segment with the top and base rib gave to forestall the spillage of air. The compacted air is utilized to incite the cylinder. To move the cylinder forward and backward, the air is provided to the top and lower part of the chamber on the other hand.

Chamber is principally ordered into two kinds specifically,

1. Single acting chamber.
2. Double acting chamber.

In single acting chamber, utilizing the spring gave around the cylinder pole accomplishes the return stroke, So, the Single acting chamber is utilized in which the return stroke is achieved utilizing Spring power.



**Fig -2:** Single acting Pneumatic Cylinder



The fundamental benefit of an all-pneumatic framework is typically monetary and effortlessness the last decreasing support to a low level. It can likewise have extraordinary benefits as far as security.

**4.4 Single Acting Cylinder**

A pneumatic chamber is a straight actuator that works with compacted air. The chamber's principle parts are the cylinder, the cylinder bar, the chamber cylinder, gaskets and seals. Single acting chambers additionally have a spring inside the chamber. A solitary acting chamber works with packed air to impel the cylinder one way and spring power to get back to the base position. Work can be acted noticeable all around driven bearing. The chamber has one port that is utilized to both stockpile and vent compacted air.

Two sorts of single acting chambers exist: spring return and spring broadened. The most widely recognized sort is the spring bring chamber back. In the spring return chamber, the spring is situated between the front finish of the chamber and the cylinder (around the cylinder pole). In this plan, the cylinder bar expands when packed air is provided to the chamber. When the air supply is removed, the cylinder pole withdraws by spring power. The spring broadened chamber works the reverse way around. The cylinder withdraws when compacted air is provided. At the point when the air supply is turned off, the spring pushes the bar out. In the spring broadened chambers, the spring is situated between the cylinder and the backside of the chamber.



**Fig -3:** Solenoid Valve in prototype with Flow control valve

There are a few benefits to utilize single acting chambers over twofold acting chambers: less tubing, less utilization of compacted air, and less wiring is required for the framework. Single acting chambers likewise have drawbacks: the spring occupies room and restricts the working stroke of the chamber. Moreover, the spring power decreased the pneumatic power and restricts the subsequent power of the chamber.

**4.5 Working 3/2 Single acting Solenoid (OR) CUT OFF Value:**

The control valve is utilized to control the stream bearing is canceled cut valve or solenoid valve. This solenoid cut off valve is constrained by the crisis press button. The 3/2

Single acting solenoid valve is having one channel port, one outlet port and one fumes port. The solenoid valve comprises of electromagnetic loop, stem and spring. The air enters to the pneumatic single acting solenoid valve when the press button is in ON position.



**Fig -4:** Single Acting Solenoid Valve

**4.6 Flow control Valve:**

Stream control valves are intended to manage the stream rate and pressing factor of media through a pipeline. Stream control valves are fundamental for streamlining framework execution and depending on a stream entry or port with a variable stream zone. The reach incorporates pneumatic and water powered control valves which are intended to adapt to high stream rate working pressing factor and can be utilized for an assortment of media. They likewise work well under wide-running temperatures, which makes them reasonable for applications that work under outrageous conditions.



**Fig -5:** Flow Control Valve

**4.7 Electronic control unit**

Here the 555 IC has been utilized as a multi vibrator. The yield of IC 555 is taken care of to the info (pin no 14) of CD 4017 keeps checking Pulse delivered. The yield of the IC opens up at pin Nos. 3, 2 and 4. The yield beat of any of yield pin triggers (Puts ON) the Triac and current beginnings streaming across the heap associated. This interaction proceeds on different pins at various time spans and the cycle keeps on creating beat. The recurrence time frame the cycle can be changed by the pre-set look associated with pin 6 of 555 Timer IC.

The recurrence time frame the cycle can be changed by the pre-set look associated with pin 6 of 555 Timer IC.



Fig -6: Control Unit

### 5. WORKING PRINCIPLE

The brake pedal or Bush Button was enacted at the hour of any slowing down time. The Electrical Signal is given to the solenoid valve, when the pedal/Bush Button is enacted. The compacted air is going to the solenoid valve.

The solenoid valve is all the while actuated at the hour of pedal/Button pushed. The packed air goes to the pneumatic chamber. The packed air pushes the pneumatic chamber cylinder and push ahead. The slowing down activity happened at the of solenoid valve enacted time. This enactment of solenoid valve is ceaseless interaction and a consistent and smooth with the goal that the smooth slowing down activity is finished. Another solenoid valve is deactivated at the hour of pedal delivering time. Within the pneumatic chamber air goes to the solenoid valve with the assistance of fumes port.

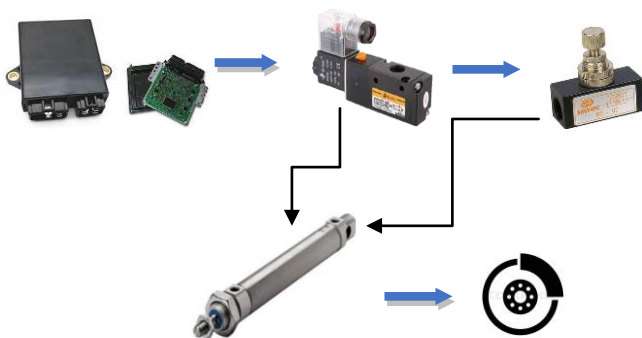


Chart -2: Process flow

### 5.1 Applications

1. It is very much useful for Car Owners & Auto-garages. This Antilock braking system is used for smooth braking of the vehicles.

2. Thus, it can be useful for the following types of vehicles;

- 1) MARUTI,
- 2) AMBASSADOR,
- 3) FIAT,
- 4) MAHINDRA,
- 5) TATA



Fig -7: Right Side view of Prototype

### 6. RESULT and CONCLUSION

This task work has given us a brilliant chance and experience, to utilize our restricted information. We acquired a great deal of commonsense information in regards to, arranging, buying, amassing and machining while at the same time accomplishing this venture work. We feel that the task work is a decent answer for connect the doors among foundation and businesses.

We are glad that we have finished the work with the restricted time effectively. The "Counter LOG BRAKING SYSTEM" is working with good conditions. We can comprehend the troubles in keeping up the resistances and furthermore quality. We have done to our capacity and expertise utilizing accessible offices.



Fig -8: Final Prototype model

All in all comments of our task work, let us add a couple of more lines about our impression project work.

In this way, we have built up an "Electronically monitored slowing mechanism (ABS)" which assists with realizing how to accomplish smooth slowing mechanism with wellbeing course of action. The working technique of this framework is exceptionally basic, so any individual can work. By utilizing more methods, they can be altered and created by the applications.

## REFERENCES

[1] M. Stan, R.- E. Precup and A. S. Paul, "Examination of Fuzzy Control Solutions for Anti-Lock Braking Systems," Journal of Control Engineering and Applied Informatics, Vol. 9, No. 2, 2007, pp. 11-22.

[2] J. Tune, H. Kim and K. Boo, "An examination on an Anti-Lock Braking System Controller and Rear-Wheel Controller to Enhance Vehicle Lateral Stability," Proceedings of the Institution of Mechanical Engineers, Part D: Journal of Automobile Engineering, Vol. 221 No. 7, 2007, pp.

[3] J. Lüdemann, "Heterogeneous and Hybrid Control with Application in Automotive Systems," Ph.D. exposition, Glasgow University, 2002.

[4] S. Taheri and E. H. Law, "Slip Control Braking of an Automobile during Combined Braking and Steering Manoeuvres," American Society of Magazine Editors, Vol. 40, No. 1, 1991, pp. 209-227.

[5] B. Ozdalyan, "Improvement of A Slip Control Anti-Lock Braking System Model," International Journal of Automobile Technology, Vol. 9, No. 1, 2008, pp. 71-80.

[6] P. Kart, "ABS Braking Requirement," Hartwood Consulting Pvt Ltd, Victoria, June 2003.

[7] M. C. Wu and M. C. Shih, "Water powered Anti-Lock Braking Control Using the Hybrid Sliding-Mode Pulse Width Modulation Pressure Control Method," Proceedings of the Institution of Mechanical Engineers, Vol. 215, 2001, pp. 177-187.

[8] C. Ünsal and P. Kachroo, "Sliding Mode Measurement Feedback Control for Antilock Braking Systems," IEEE Transactions on Control Systems Technology, Vol. 7, No. 2, March 1999, pp. 271-281.

[9] M. Stan, R.- E. Precup and S. A. Paul, "Investigation of Fuzzy Control Solutions for Anti-Lock Braking Systems," Journal of Control Engineering and Applied Informatics, Vol. 9, No. 2, 2007, pp. 11-22.

[10] R. Keshmiri and A. M. Shahri, "Insightful ABS Fuzzy Controller for Diverse Road Surfaces," World Academy of Science, Engineering and Technology, Vol. 2, No. 2, 2007, pp. 62-67.

[11] C.- M. Lin, C.- F. Hsu, "Self-Learning Fuzzy Sliding-Mode Control for Antilock Braking Systems," IEEE Transactions On Control Systems Technology, Vol. 11, No. 2, 2003, pp. 273-278.