

IOT BASED POWER MONITERING SYSTEM

Dr.T.Menakadevi ¹, Akash.M ², Dilip Kumar.B³, Kannan.M ⁴, Chandra Mohan.S ⁵

¹Professor, ^{2,3,4,5}UG Students, Department of Electronics and Communication Engineering,
Adhiyamaan College of Engineering, Hosur, Tamil Nadu, India.

drmenakadevit@gmail.com¹, akashmakash90@gmail.com², pavandlip1919@gmail.com³,
Kannan190100@gmail.com⁴, chandranive15@gmail.com⁵

Abstract – Starting Power disappointment causes huge misfortunes and influences the progression of usefulness of the frameworks in modern climate. These force interference or unsettling influence between a petrochemical office and interconnected networks could influence the two sides of the force frameworks. Hence having high force quality gets perhaps the most basic parts in the business. To stay away from startling force disappointment and to give a superior comprehension of the force framework at businesses we need a quick, exact and dependable force checking framework is required. In this undertaking we present a Power observing framework dependent on Internet of Things. This arrangement additionally takes into consideration easy installation without correspondence reach and hindrances limits making it simple use in differentsituations from huge complex structure to more modest purchasers, like electric boilers, or just to measure the enthusiastic impression of vacationers in a little neighborhood traveler condition.

Key Words: Internet of Things, Reliable power monitoringsystem, Arduino, esp8266, monitering, Interconnected grids

1.INTRODUCTION

Power monitoring is an important factor in Industrial Environments. It involves the sub processes like power measurement, power failure detection, storing the power consumption and performance details of machine for maintenance and fetching these performance details for future analysis. In our proposed system, we have developed an advanced technology which uses Internet of things instead of human effort for do the above sub processes in industrial power monitoring. Both of the sources are switched daily with manual switching and balancing. Because of the incorrect exchanging and adjusting measures, it is assessed that 40% of the accessible PV power isn't utilized. Albeit the dominant parts wiring frameworks are in 3-stage, a few structures actually utilize separate single stage. The unbalance framework will influence the symphonious contortion as well as can cause the electrical hardware harm.

2.RELATED WORK

The force quality observing framework ought to be improved by better alignment and testing measure and improved investigation of the examining and measurable estimations. The improved choice of RMS, normal, or then again top examining that will give better outcomes. The executives of the informational index and treatment of web blackouts. Group who gave mastery, materials, learning opportunity, information and backing for this exploration. The creators additionally like to show the appreciation to Tony Vovers for the direction, assessment, and advices that enormously improved the undertaking and original copy. with the help of the iot the data are monitored by your application where ever you want. through there are many ways to find the power consumption of industry to find it but they are need of human effort so we are using array of sensors to find the result.

3.METHODOLOGY

This examination is planned to fabricate the instruments that can give the estimation of force quality at power monitoring, the information stockpiling framework, and the perception stage to work with the practical energy the board measure. To gather the data and hypothetical foundation, writing learn about power quality in a building is led by the creators. The turn of events of equipment and checking site will be led with quantitative exploration strategies and upheld by test and member perception.

4.BLOCK DIAGRAM

In this block diagram the main control panel is connected with proper power monitoring system though all power consumers details from necessary main control panel has been sent to the dynamic database using network interface during power failure condition the power monitoring system analyze the power failure with current and voltage sensor and send the signal through network interface to connected sub power system wirelessly as soon as operate the connected switching unit in the sub power system and switch on the sub power grid.

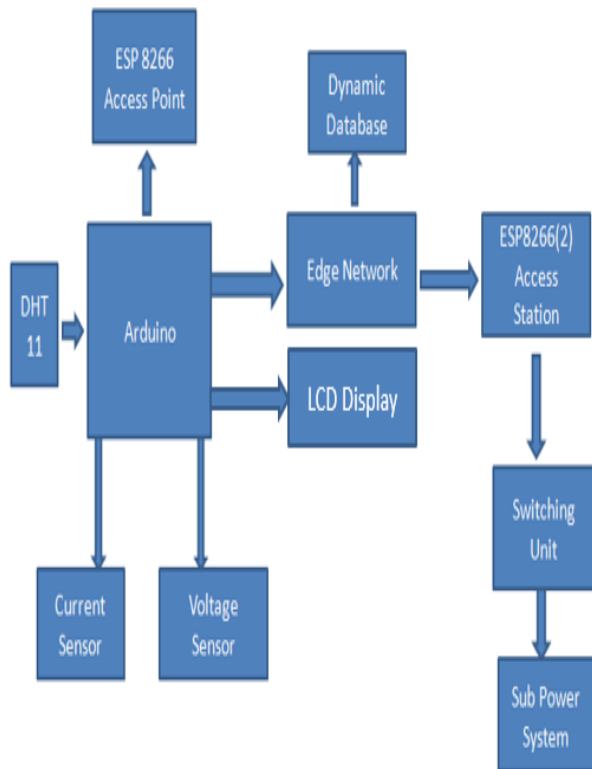


Fig -1: Block Diagram

5. EXPERIMENTAL RESULTS

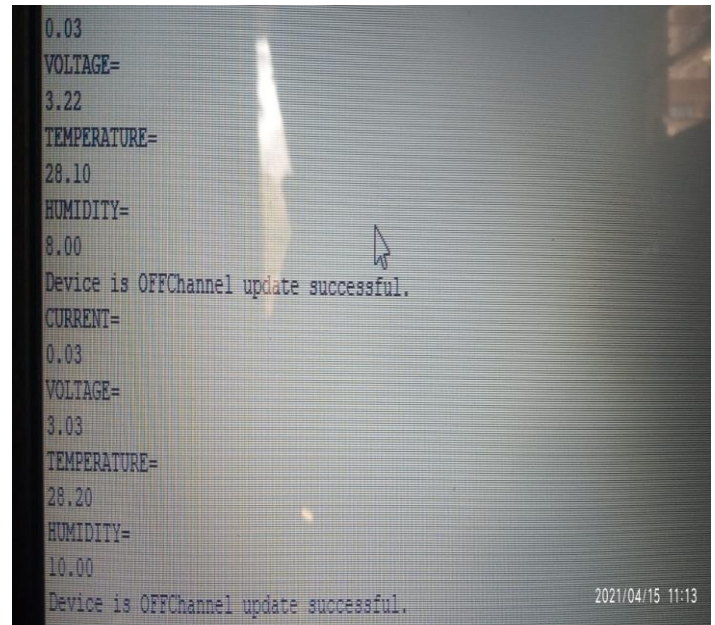


Fig -6: OUTPUT

6. CONCLUSIONS

Thus, the project is used to monitor the power consumption of the machineries used in industries. To store the details with a dynamic database for feature analysis of Engineers. To reduce the time delay between power failure on assembly line and switching sub power panel for avoiding the industrial process with automation.

REFERENCES:

- [1] prof. S.P.S.gill, N.K.surya devara;power monitoring system using wireless sensor network,IEEE,national conference ,10-aug-2015
- [2] D.-J. Won, I.-Y. Chung, J.-M. Kim, S.-I. Moon, J.-C. Seo, and J.-W. Choe, Development of power quality monitoring system with central processing scheme,IEEE Power Eng. Soc. Summer Meet. 2002, vol. 2, pp. 915–919 (2002)
- [3] Group, A Strategic Roadmap for Sustainable Energy Management and Energy Efficiency for Industrial, Commercial, Municipal and Manufacturing Operations, (2009).
- [4] Brunelli, D.; Minakov, I.; Passerone, R.; Rossi, M. Smart monitoring for sustainable and energy-efficient buildings: A case study. In Proceedings IEEE Workshop on Environmental, Energy, and Structural Monitoring Systems (EESMS) Proceedings, Trento, Italy, 9–10 July 2015.

4.1 CIRCUIT DIAGRAM

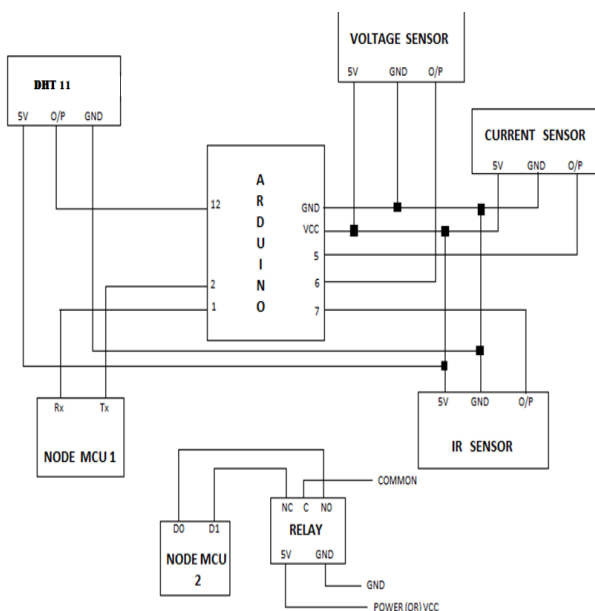


Fig -2: Circuit Diagram

- [5] Prof.Roji Thomas Mathew and geena in intelligent energy meter with home automation IEEE,NOV-2018.
- [6] Prof.jagruti A.dange,Rashmi shirwadkar,Priyanka gite,nikita odhekar and Chanchal kakad ,electric switch on/off system using Arduino app via WI-FI,2016,IRJET.
- [7] M.albu,M.sanduleac and c.stanescu,balu use of smart meter for power quality monitoring in emerging network,IEEE,2016.
- [8] Prof. Y. Saleem, N. Crespi, M. H. Rehmani and R. Copeland, "Internet of Things Aided Grid: Technologies Architectures Applications Prototypes and Future Research Directions", IEEE Access, 2019.

BIOGRAPHY:



Dr. T. Menaka Devi,
Professor,
Electronics And Communication
Engineering Department,
Adhiyamaan College of Engineering,
Anna University.