

A Review study on the Design of Wind Screen Using Finite Element Approach

¹Shivam Kumar, ²Ankush Kumar Jain

¹M.Tech Student, ²Assistant Professor, Civil Engineering Department, Poornima University, Jaipur, India

Abstract - The reason of the present study is to get the result of wind screen screen/mesh supported by steel structures on the coal mining area. To evaluate the performance of the wind screen screen/mesh, is checked by performing analysis on STAAD Pro by providing wind speed data, gravity, seismic factors, steel loads. In this investigation it will be considered the worst wind speed on mesh and loads on the steel structures. Analysis results expected to show that when there is maximum wind pressure then there is chances of wear and tear to the wind mesh so reduction in height and increasing the steel structure depth can handle the wind speed. Variation can occurs when there is difference in heights. Therefore Comparison of the results will be present and STAAD Pro is used for construction and analysis.

Key Words: Steel Structure, Load, wind screen, mesh

1. INTRODUCTION

Lots of coal at NTPC Banadag Railway Siding, Hazaribagh (Jharkhand) have become threat to the nearby villagers and farmers. Hundreds of coal carrying trucks and hywa supply coal regularly between badkagon coal mining to banadag stockyard at banadag railway siding. Many deep bore wells has been also made for the sprinkling of water to stop the dust, but due to deep bore wells the local villages water level has been decreased.

Locals claims that the dirty water coming out of the coal cheap mostly in rainy season, flows directly into near by farm lands and due to this the agriculture is becoming worst and lands are also damaged. Apart from this a lot of farmers are migrating and are suffering from airborne disease due to constantly exposed to polluted water and air.

As per the guidelines of coal stock yard regular spraying of water, planting of trees along the boundary sides and at least 3meters boundary has to be provided and are being followed also, but after all this construction still the dust is spreading out of boundary. The villagers have demanded that NTPC authorities should take steps as soon as possible to stop the pollution. So for that Wind screen of 8 Meters height has been constructed and is effectively in use has minimized the air pollution. According to the speed of wind the wind screen has to be designed so that I should not fail. The wind speed has to be taken for the short term period. According to the speed of wind the material for the screen mesh has to be placed. The heavy steel sections will be provided for the screen mesh according to the analysis of wind speed and height of mesh, weight of mesh. Steel frames are usually the choice when constructing a larger building that needs a big open space because of the economical aspect and efficiency of building a single-storey unit.

The use of steel in the development structure has become a common practice, which determines the weight of the structural material, gravitational forces, compressive strength, the stability potential of the structure, and its architectural capabilities.

Ajay Kumar, Rajeev Kumar et. al.

- The authors research paper presented, the various publications on the analysis of steel structures have been briefly discussed. After reviewing this previously published article, it can be concluded that the structure consisting of different steel sections is more stable. These steel structures can be effectively used for modern and fast urban construction works. Various modern steel partitions have proven to be the most economical and safest compared to traditional partitions.

Thomas Heaton et al. (2007)

- Simulation of the response of six- and twenty-story high-strength steel-framed buildings (US 1994 UBC) to ground motions (recorded during the 2003 Tokachi-Oki earthquake). The author considered that the building also had perfect welds and weak welds, which was observed during the Northridge earthquake in 1994. The 2003 Tokachi-oki could have caused large displacements between floors in a short time. flexible - heavy duty steel framed structures according to USA - designed 1994., University of British Columbia.

Joghataie and M. Takalloozadeh (2009)

- In their paper proposed a new penalty function which has superior affinity properties, as the combined external and internal penalty function does not have such superior properties. They used the new and old indoor and outdoor penalty function and the method of descending three columns and ten steep pillars, and then compared the results. It was concluded that the convergence rate and the accuracy of the result improved.

Pr Prashant Topalakati et al.

- In this paper Structural analysis with tall steel framing with and without sheet steel shear walls (SPSW) using STAAD PRO software. The main focus of the study was different thicknesses (6 mm to 18 mm) of shear walls made of steel plates. The parameters considered for the results were deformation, shear strength, bending moment, axial force. An equivalent static seismic analysis was performed according to IS 1893:2002.

Akshay Kunal W. Alabama. et al (2017)

- Presented that steel profile structures have always been the main choice of civil engineers for building on other types of structures. To date, there are a number of developments and achievements regarding steel structures. The development can be used effectively in the process of designing pressure elements in the design of various structural elements, such as axles, racks, gears and tires.

3. METHODOLOGY

The collection of wind speed at the coal yard data will be take for the prediction of coal dust flowing and maximum air flowing. The average wind speed will be taken from weather forecast. And the peak value will be taken into account and will be feeded on the software .Once the wind speed is determined then the material is chosen to resist the coal dust such as Agro-net of 90% GSM or light weight steel plates. And the load which will carry the wind mesh will be designed and determined by using software. Design and analysis will be done on different steel sections for carrying the load sufficiently. The last part will be analysis of all the parts including speed of wind. All the loads will be combined and analysis will be done till a economical and stable design is made.

Steps for the analysis:

Step-1: Selection of steel members and wind screen mesh .

Step-2: Assigning Sectional properties and members as per Steel Table.

Step-3: Assigning Support Condition

Step-4: Assigning load conditions:

Step-5: Analysis of structure

4. MODELING AND ANALYSIS

The following methods are used for the analysis of industrial buildings:

1. Equivalent Static Load Analysis Method (ESLA)
2. Response Spectrum Analysis (RSA)
3. Time-Date Analysis (THA)

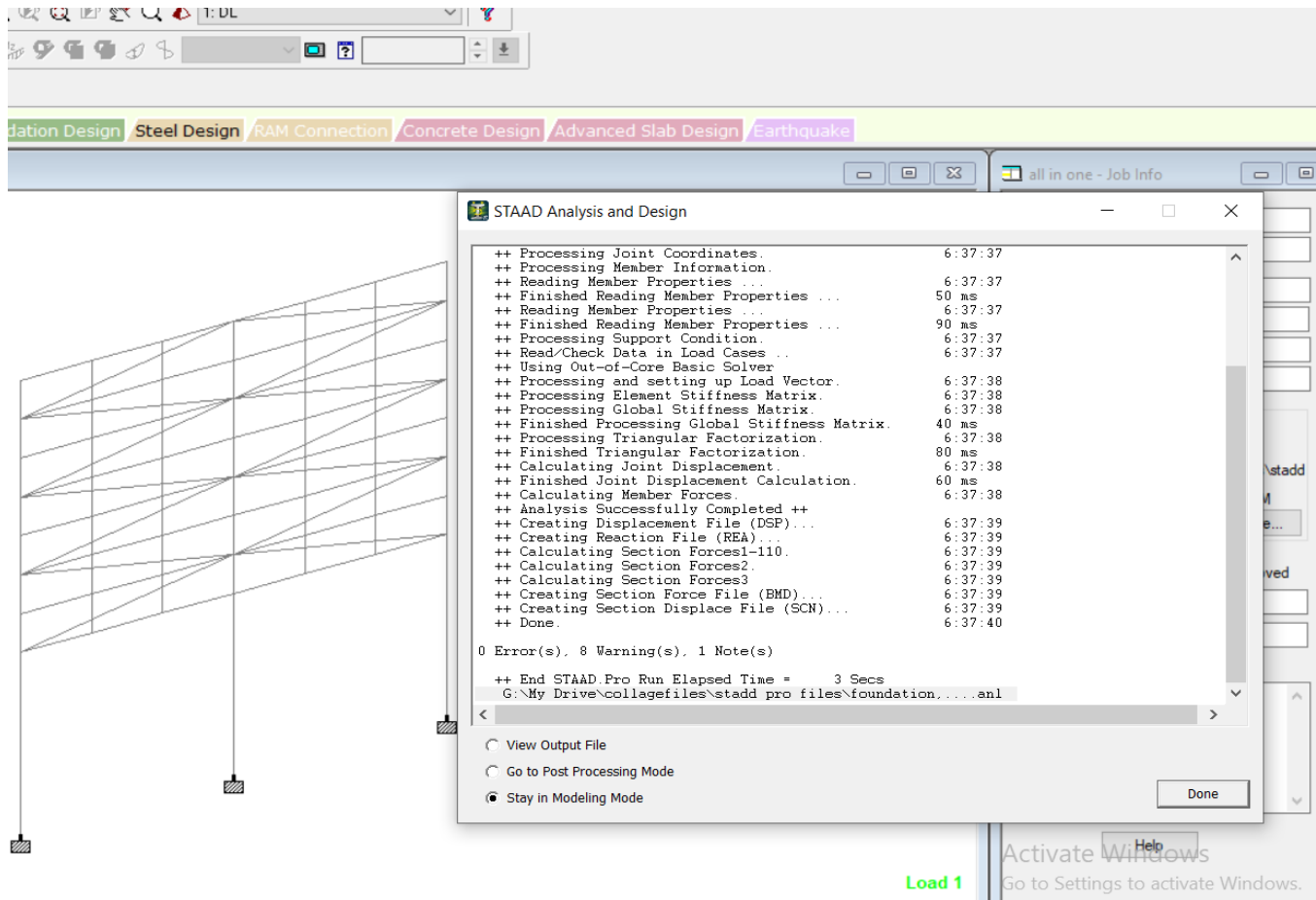


Figure 3: Analysis report of Industrial ware house

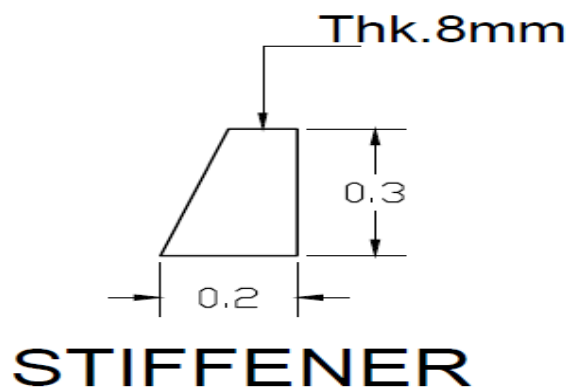


Figure 4: Stiffeners details

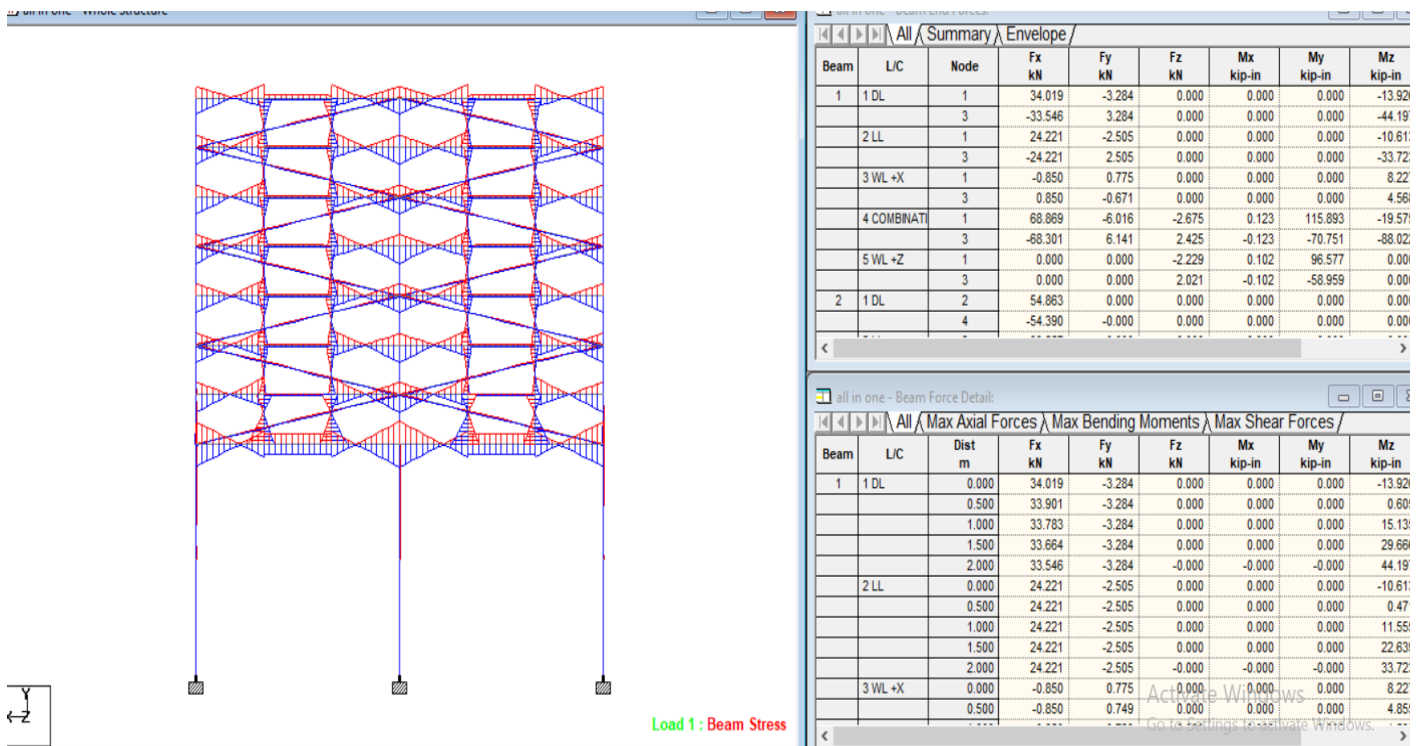


Figure 5: Beam stresses

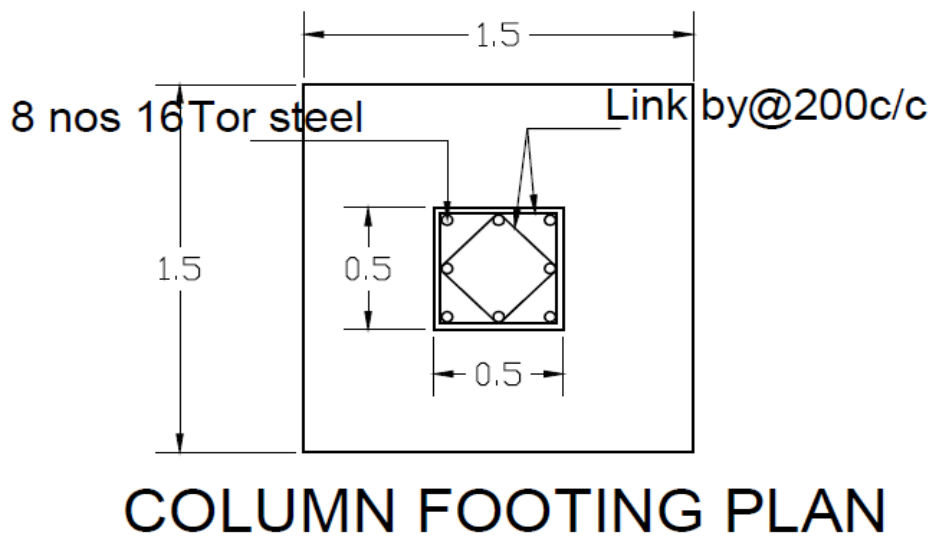


Figure 6: Column Footing details

5. CONCLUSION

- This project involved the analysis and design of wind breaks. Manual calculation, design and analysis of steel wind shield components using Staad Pro and autocad software. This project is designed with a width of 4.5 meters and a length of 8 meters (height).
- Designing steel components using solution equations is complex and time consuming, so to save time, computer software should be used to design and process analyze these types of trusses and this software takes input from truss design and takes them. Perform calculations easily and quickly to save time and ensure design integrity.

- Straight elements were used at the beginning and at the end connected by triangles formed by positional welds, and this element is affected by the compression or tension force, at approximately the same time that the same average torque is excluded in the reinforcements, assuming that each joint in the armor there is a pin.
- This project deals with two design criteria (by manual calculation and by staad pro) in Staad pro two designs were used first by checking the adequacy of the selected section and second by the lightest weight design. There was a difference between all the design parameters depending on the section area which gives a different section.

6. REFERENCES

General papers

1. Burdzik, W.M.G. and Skorpen, S.A. (2014), "Metal-strip bracing versus diagonal timber bracing in timber trussed tiled roofs", *Eng. Struct.*, 75, 1-10.
2. Jesumi, M.G. Rajendran, "Optimal Bracing System for Steel Towers" *International Journal of Engineering Research and Applications* Vol. 3, Issue 2, March -April 2013.
3. S.M. Dhawade, P.S. Pajgade, "Consideration of Seismic Design of Multistoried Steel Structure" *International Journal of Civil Engineering Research*. Vol. 5, Number 2, 2014, pp. 177-182.
4. Prashant Topalakatti, Prabhu M. Kinagi, "Parametric Study of Steel Frame Building with and without Steel Plate Shear Wall" *IISTE*. Vol. 6, Number 10, 2014. Abhyuday Titiksh
5. Dr. M.K. Gupta, "A Study of the Various Structural Framing Systems Subjected to Seismic Loads" *SSRG International Journal of Civil Engineering*. Vol. 2, Issue 4, April 2015.
6. Mohammed Abdul Rizwan, Tejas D. Doshi, "Seismic Behavior of SPSW Steel Framed Buildings" *International Research Journal of Engineering and Technology (IRJET)*. Vol. 2, Issue 3, June 2015.
7. Sh Hosseinzadeh, B. Mohebi, "Seismic evaluation of all steel buckling restrained braces using finite element analysis", *Journal of Constructional Steel Research* 119 (2016) 76-84.
8. Salem R.S Ghdoura, Vikas Srivastava, "Analysis of Steel Framed Structure using STAAD Pro and ROBOT Software", *International Journal of Scientific Engineering and Technology Research*, Volume 5, Issue 7, March 2016, pp: 1442-1449.
9. Akshay Kunal, "Compression Members: Strut & Column", *International Research Journal of Engineering and Technology (IRJET)*, Volume 4, Issue 5, March 2017, pp: 1318-1319.
10. Kurapati Nikhila, A Srikanth, "Study of Nonlinear Behaviour of a Braced Structure in all Seismic Zones", *International Journal of Advanced Research in Science, Engineering and Technology*, Volume 4, Issue 6, June 2017, pp: 4094-4102.
11. Shrikant M Harle, "Analysis By Staad-Pro And Design Of Structural Elements By Matlab", *Journal of Asian Scientific Research*, Volume 7, Issue 5, 2017, pp: 145-164.
12. *International Journal of Engineering And Science (IJES)* Volume 4 Issue 3. PP.76-84.
13. Swaminathan Krishnan, Chen Ji, Dimitri Komatitsch, and Jeroen Tromp, "Case Studies of Damage to Tall Steel Moment-Frame Buildings in Southern California during Large San Andreas Earthquakes", *Bulletin of the Seismological Society of America*, Vol. 96, No. 4A, pp. 1523-1537, August 2006.
14. http://www.ecf.caltech.edu/~heaton/papers/Kyoto_buildings.pdf
15. A joghataie and M. Takaloozadeh, "Improving Penalty Functions for Structural Optimization", *Transaction A: Civil Engineering* Vol. 16, No. 4, pp. 308-320, 2009.
16. Abramyana, S.G. and Ishmametova, R.K. (2016), "Strengthening timber roof trusses during building construction and reconstruction", *International Conference on Industrial Engineering, ICIE 2016, Procedia Engineering*, doi: 10.1016/j.proeng.2016.07.253.

17. Anbarasu,M. (2016), "Local-distortional buckling interaction on cold formed steel lipped channel beams", Thin Wall.Struct., 98, 351-359.
18. Barbari,M., Cavalli,A., Fiorineschi,L., Monti,M. and Togni, M. (2014), "Innovative connection in wooden trusses", Constr.Build.Mater., 66, 654-663.
19. Branco,J.M., Piazza, M. andCruz, P.J.S. (2010), "Structural analysis of two King-post timber trusses: Non-destructive evaluation and load-carrying tests", Constr.Build.Mater., 24(3), 371-383.

Standards

20. 1. Indian Standard: 1893 (Part1); 2002. Criteria for Earthquake Resistant Design Structures: New Delhi: BIS; 2002.
21. 2.IS 875: Part 1 to 5 Code Of Practice For Design Loads (Other Than Earthquake) For Buildings and Structures,1st Revision, New Delhi: BIS.
22. 3. Indian Standard: 801 – 1975; Code Of Practice For Use Of Cold-Formed Light Gauge Steel Structural Member's In General Building Construction, 1st Revision, New Delhi: BIS.
23. 4. Indian Standard: 800 – 2007; General Construction in Steel — Code of Practice; 3rd S Revision, New Delhi: BIS.
24. 5. Indian Standard: 800 – 1984; Code of Practice for General Construction, In Steel; 1st Revision, New Delhi: BIS.